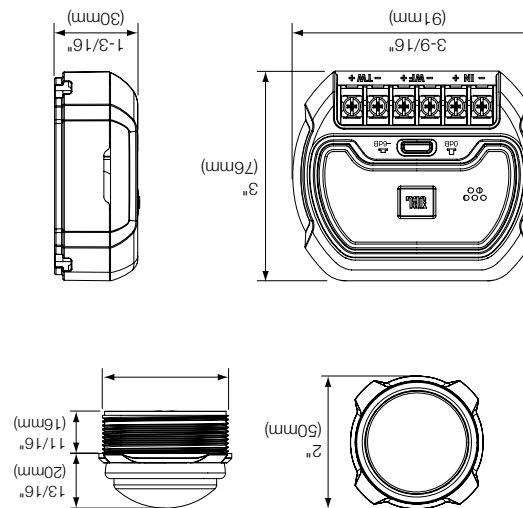


DIMENSIONS



THREE-SMALL PARAMETERS

BL (T.m)	GTO 609C	TWEETER
DCR (ohms)	2.22	2.30
Mms (g)	14.20	-
Sd (cm ²)	122.7	-
Cms (µm/N)	257	-
Vas (liters)	5.44	-
Fs (Hz)	83.3	-
Qes	1.11	-
Qms	7.27	-
Qts	0.97	-

SPECIFICATIONS

Type	GTO 609C	TWEETER
Power handling, continuous average	90W	50W
Power handling, peak	360W	150W
Frequency response	50Hz – 21kHz	2.5Hz – 21kHz
Nominal impedance	2 ohms	2 ohms
Sensitivity (2.83V/m)	92dB	92dB

GENERAL CARE: The loudspeaker grilles may be cleaned with a damp cloth. Do not use any cleaners or solvents on the grilles or the speaker cones.

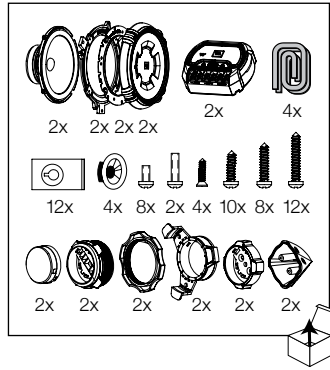
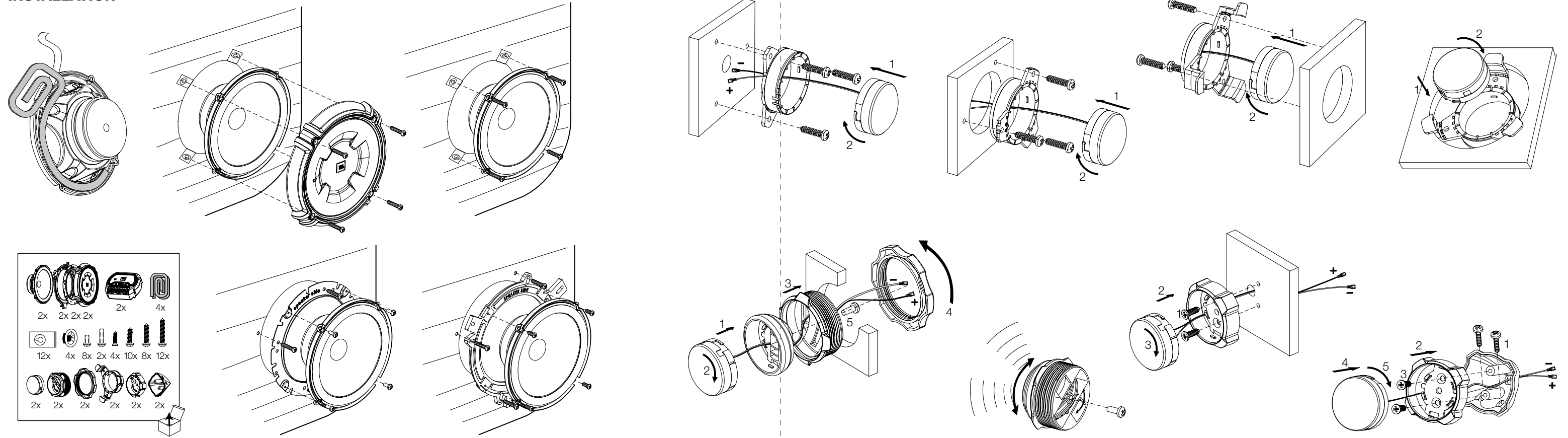
WARRANTY: Grand Touring® Series speakers are warranted against defects. The duration of the speaker's warranty depends on the laws in the country in which it was purchased. Your local JBL® car audio retailer can help you determine the length of your warranty. To register your product, please visit www.jbl.com.

GTO 609C

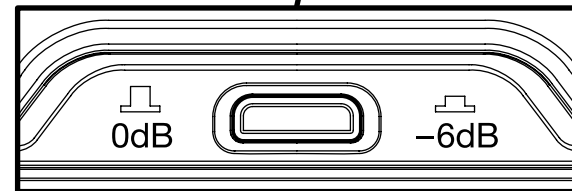
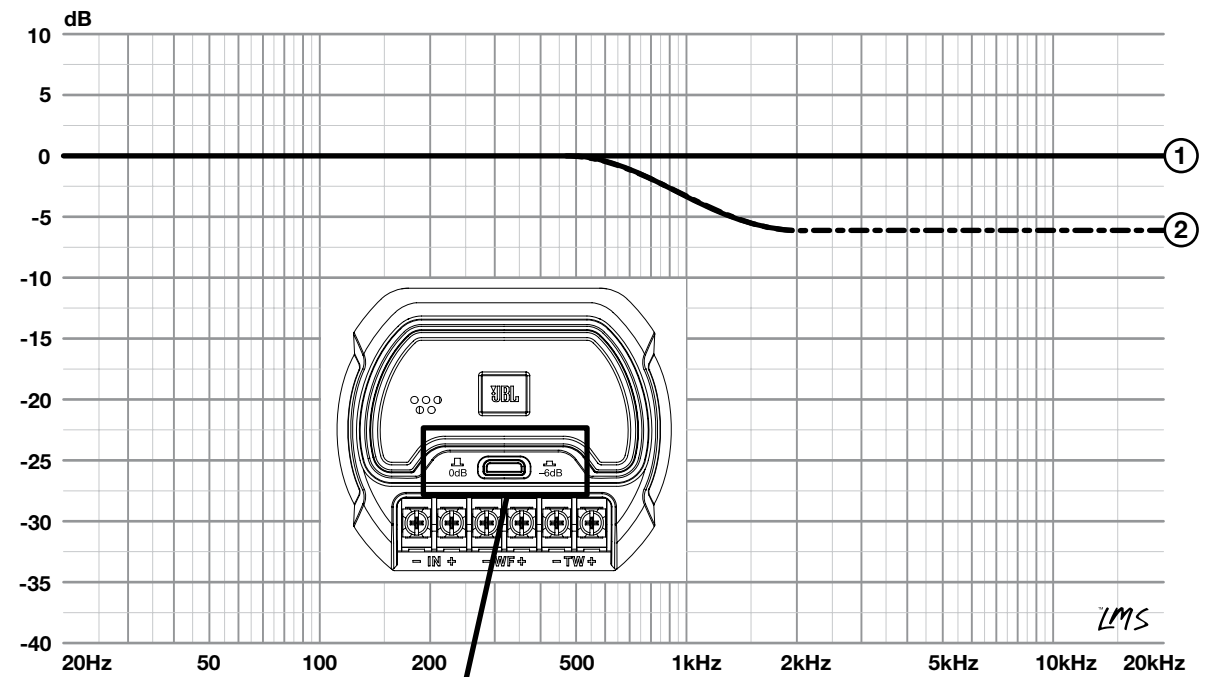
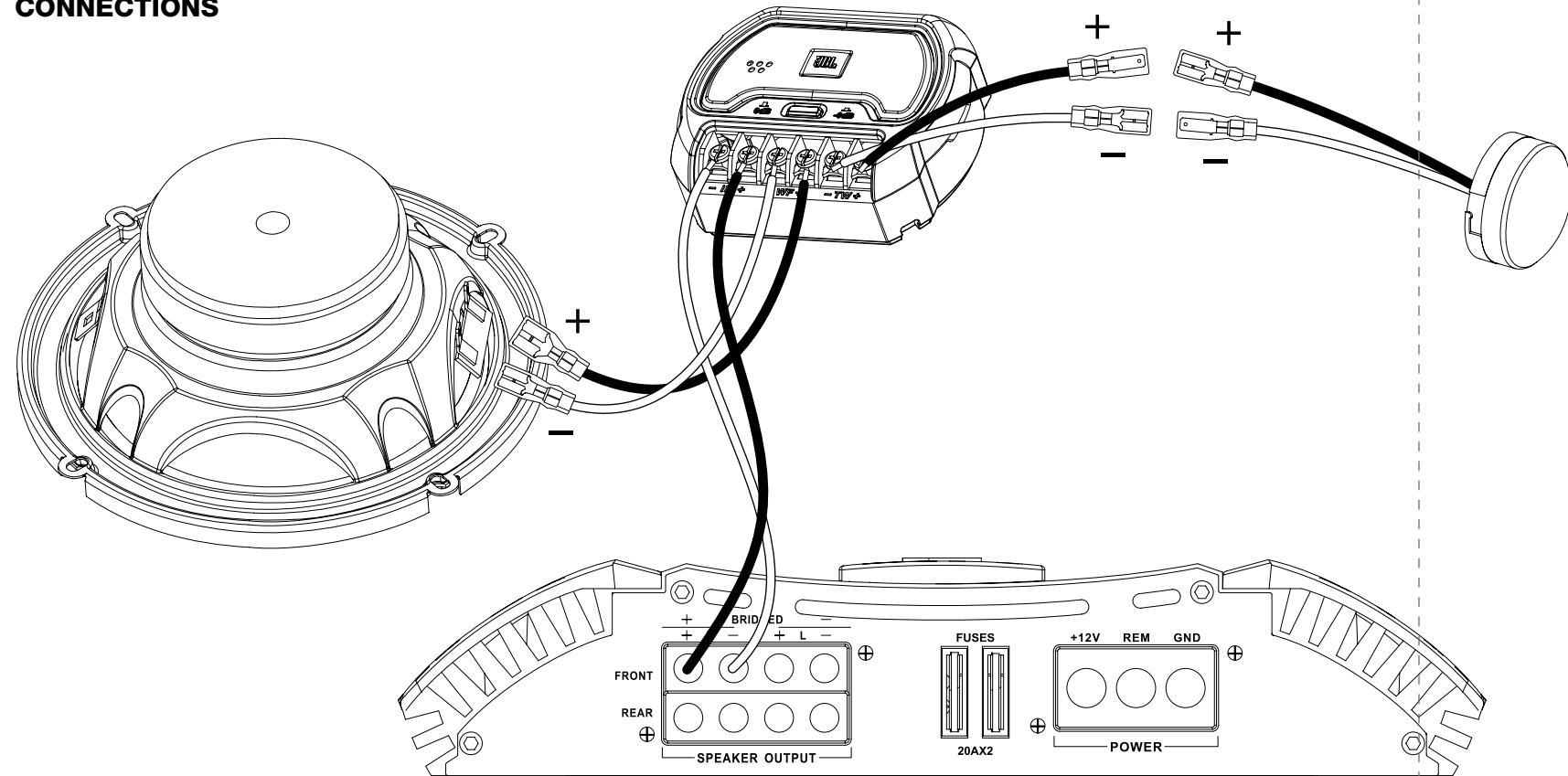
6-1/2" two-way car audio component system



INSTALLATION



CONNECTIONS



- ① High cut = 0dB
- ② High cut = -6dB