

AKG Ara

QUICK START GUIDE

AKG[®]
by HARMAN

CONGRATULATIONS

on your purchase of the AKG Ara. This guide will provide you with the basics needed to set up and operate your microphone right out of the box. Ara is a professional dual-pattern USB condenser microphone.

WHAT'S IN THE BOX

AKG Ara Microphone

USB Cable (USB C to USB A)

3/8" to 5/8" Microphone Stand Adapter

Quick Start Guide

Regulatory Documents

Ableton Live 11 Lite Registration Card

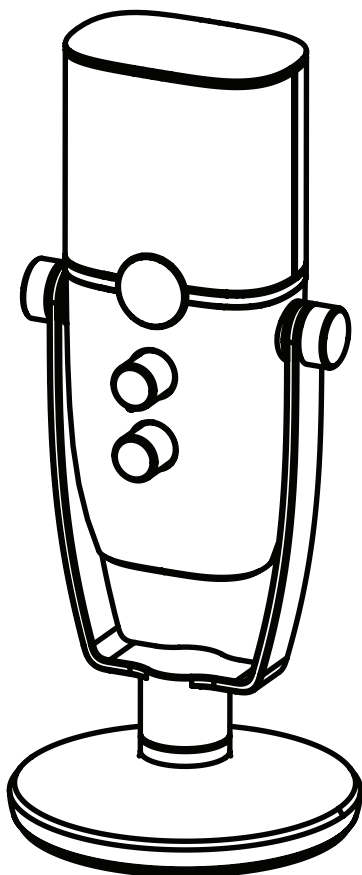
SYSTEM REQUIREMENTS

Windows 8 and higher

Mac OS 10.7.X and higher

Android 9.X and higher (w/ OTG compatible device)

iOS 10.X and higher (w/camera kit and external power source)



CONNECTIONS

Ara is designed to be simple to connect and easy to use. Here are the basic setup and operation instructions.

1. Connect the USB cable to the microphone USB C port

2. Connect the other end of the USB cable to the USB port on your computer, tablet or phone

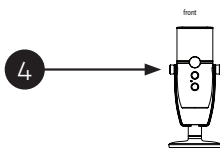
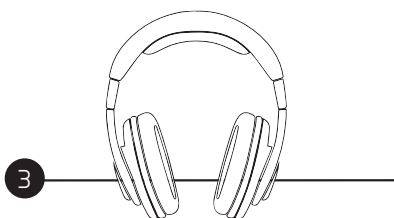
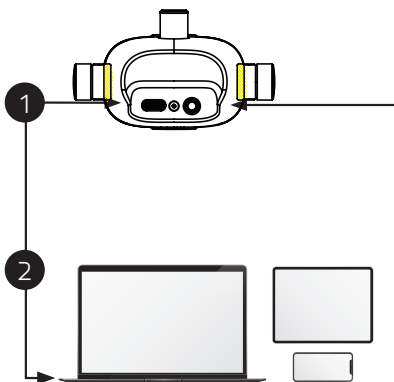
NOTE:

- Android mobile devices may require an OTG adapter cable to be used in conjunction with the included USB cable
- iOS mobile devices may require an Apple Camera kit that can be used with the included USB cable
- For optimal stability, please make sure your laptop is plugged into a stable power source while using the Ara microphone

3. Connect wired headphones to the stereo headphone jack

4. Adjust the headphone volume to a comfortable level

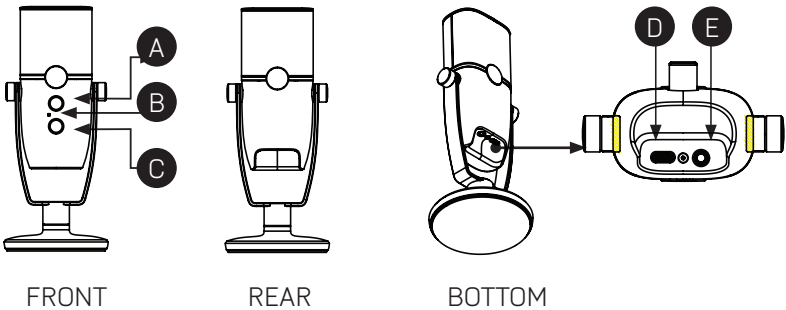
5. Adjust the recording levels in your computer, tablet or phone



CONTROLS & CONNECTIONS

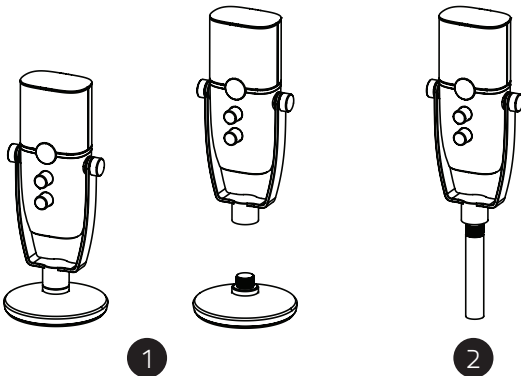
- A. Mic Capture Mode Knob
- B. Mic Mute LED Indicator
- C. Headphone Volume Control

- D. USB Port
- E. 3.5mm Stereo Headphone Jack



Ara's integrated desktop stand can be removed for use with common mic stands and boom arms.

1. Remove the base stand from the mic by unscrewing it
2. Screw the mic assembly onto the mic stand or boom arm



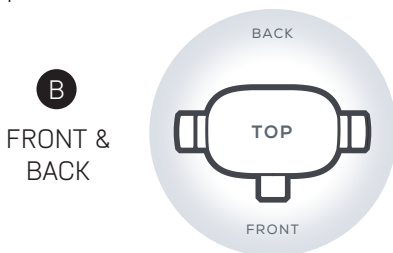
HELPFUL TIPS

Ara features the AKG Dual-Capsule array that provides two distinct user-selectable audio capture modes. Here are helpful tips for selecting a microphone capture mode for your application.

- A. FRONT:** In front mode, the Ara captures audio sources from the front of the mic while significantly reducing audio from the back and sides. This is the most commonly used capture mode for recording. It works well for voiceovers, podcasters, vloggers, gamers, vocalists, acoustic instruments and web conferencing.



- B. FRONT & BACK:** In front & back mode, the Ara picks up sound evenly from all sides. This capture mode works particularly well for recording group interviews, podcasts, video production, and recording groups of musicians.



PRODUCT SPECS

Maximum Operation Frequency:	12MHz
Operating Temperature Range:	-10 ⁰ C to +40 ⁰ C
Input Voltage:	USB 5volt, 40mA



REVISED: 7/27/2021

AKG ACOUSTICS, U.S. 8500 BALBOA BOULEVARD, NORTHRIDGE, CA 91329, U.S.A.
© 2021 HARMAN International Industries, Incorporated. All rights reserved. AKG is a trademark of AKG Acoustics GmbH, registered in the United States and/or other countries. Features, specifications and appearance are subject to change without notice. Other trademarks and trade names are those of their respective owners. www.ake.com

Model Ara C22 – Manufacturer and country of origin: Harman International, China – Manufacture date: July 2021