

JBL® CLUB SPEAKERS



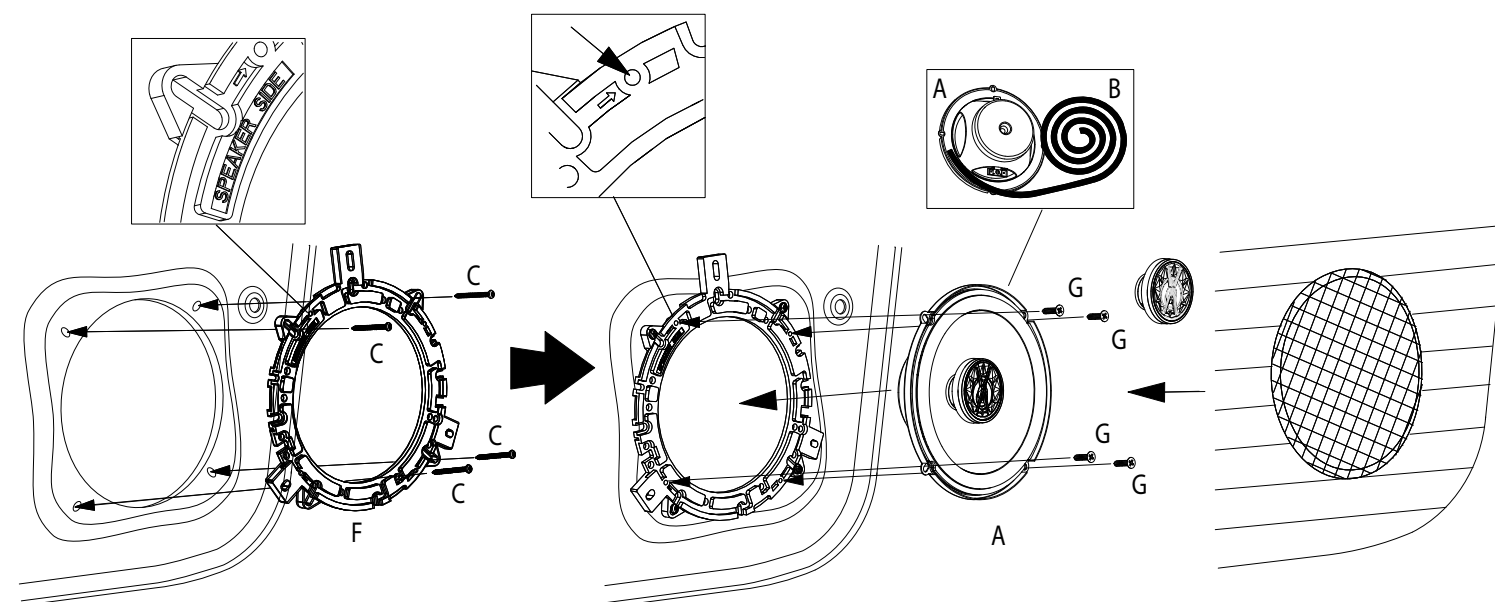
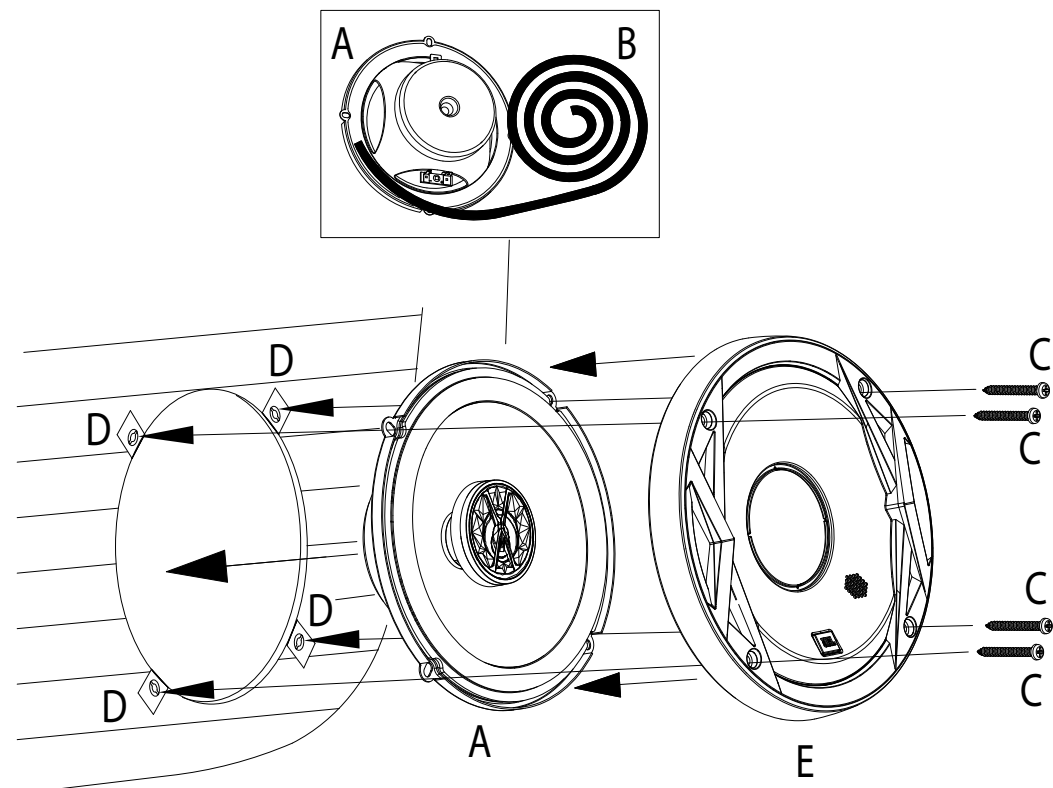
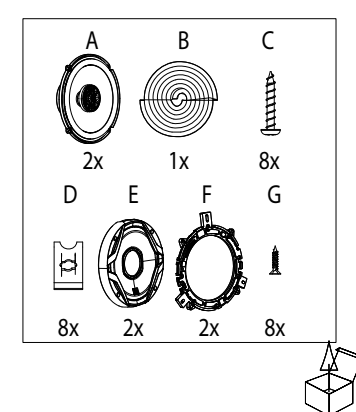
by HARMAN

Car Audio Speaker
 Haut-parleur audio automobile
 Altavoz de audio para automóvil
 Alto-falante automotivo
 Fahrzeuglautsprecher
 Diffusore Car Audio
 Autoluidspreker
 Bilstereohøytaler
 Autokaiutin
 Автомобильный динамик
 Bilhögtalare
 Bilhöjtaler
 カーオーディオ・スピーカー
 Głośnik samochodowy
 카오디오 스피커
 车载扬声器
 汽車音響喇叭
 Speaker Audio Mobil
 Araba Ses Hoparlörü

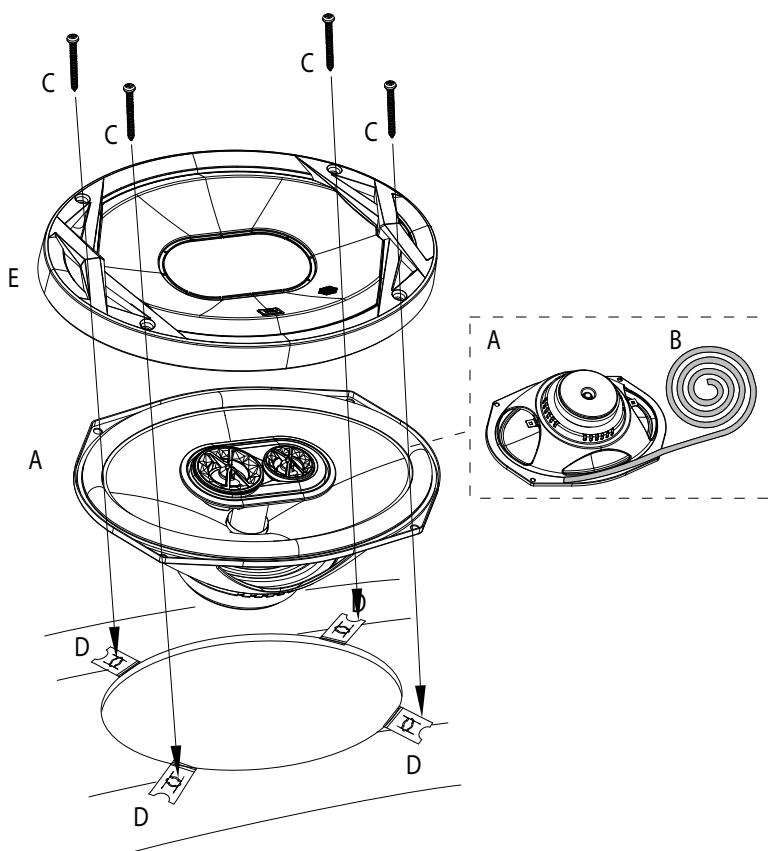
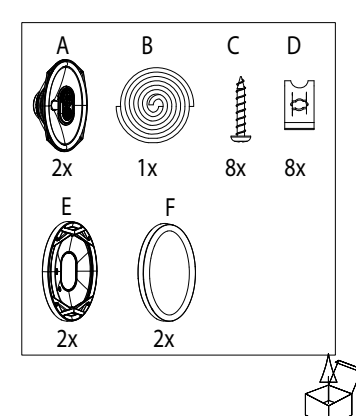


Installation manual
 Manuel d'installation
 Manual de instalación
 Manual de instalação
 Installationshandbuch
 Manuale d'installazione
 Installatiehandleiding
 Installasjonsveiledning
 Asennusopas
 Руководство по установке
 Installationsanvisning
 Installationsmanual
 設置マニュアル
 Instrukcja instalacji
 설치 설명서
 安装手册
 安裝手冊
 Panduan instalasi
 Kurulum kılavuzu

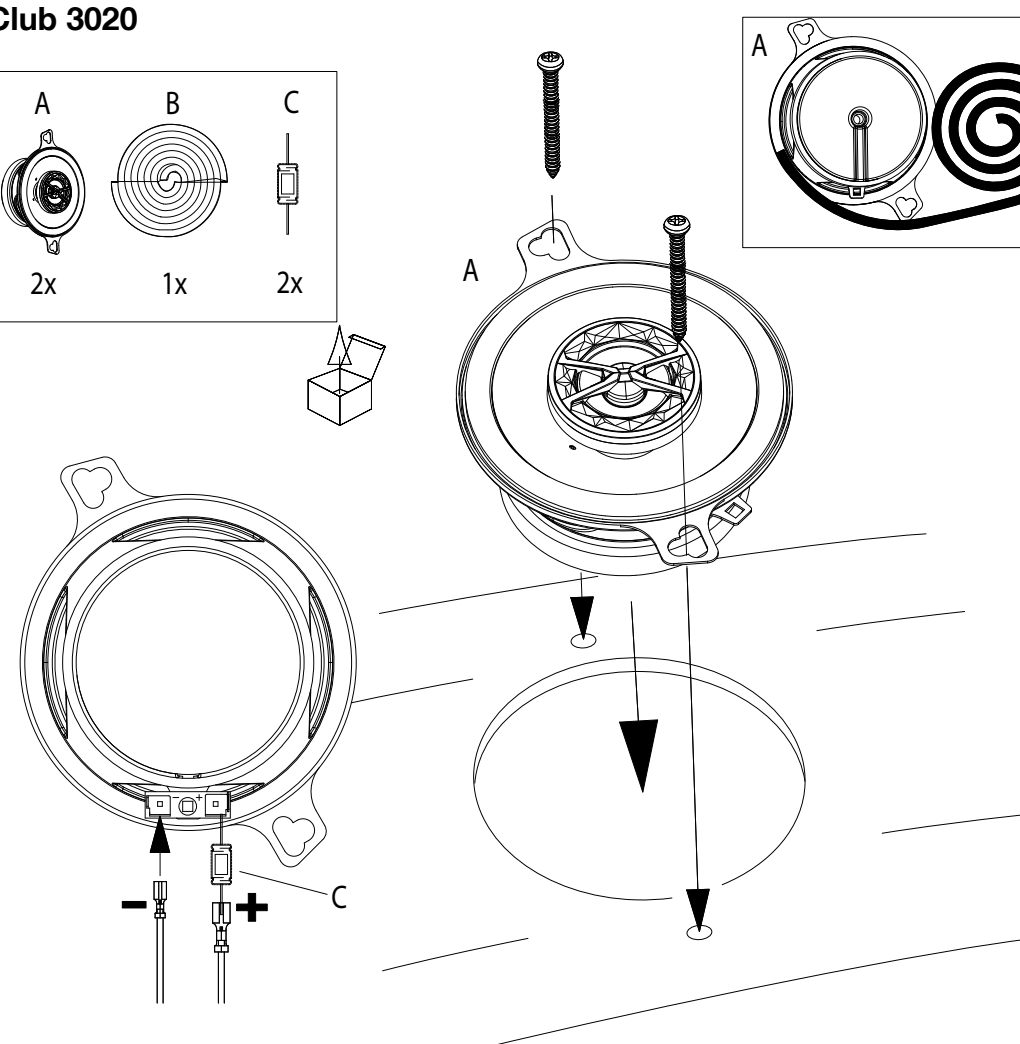
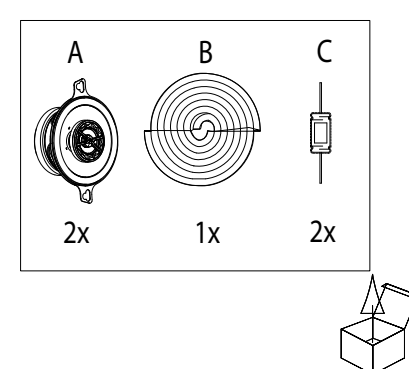
CLUB 6520



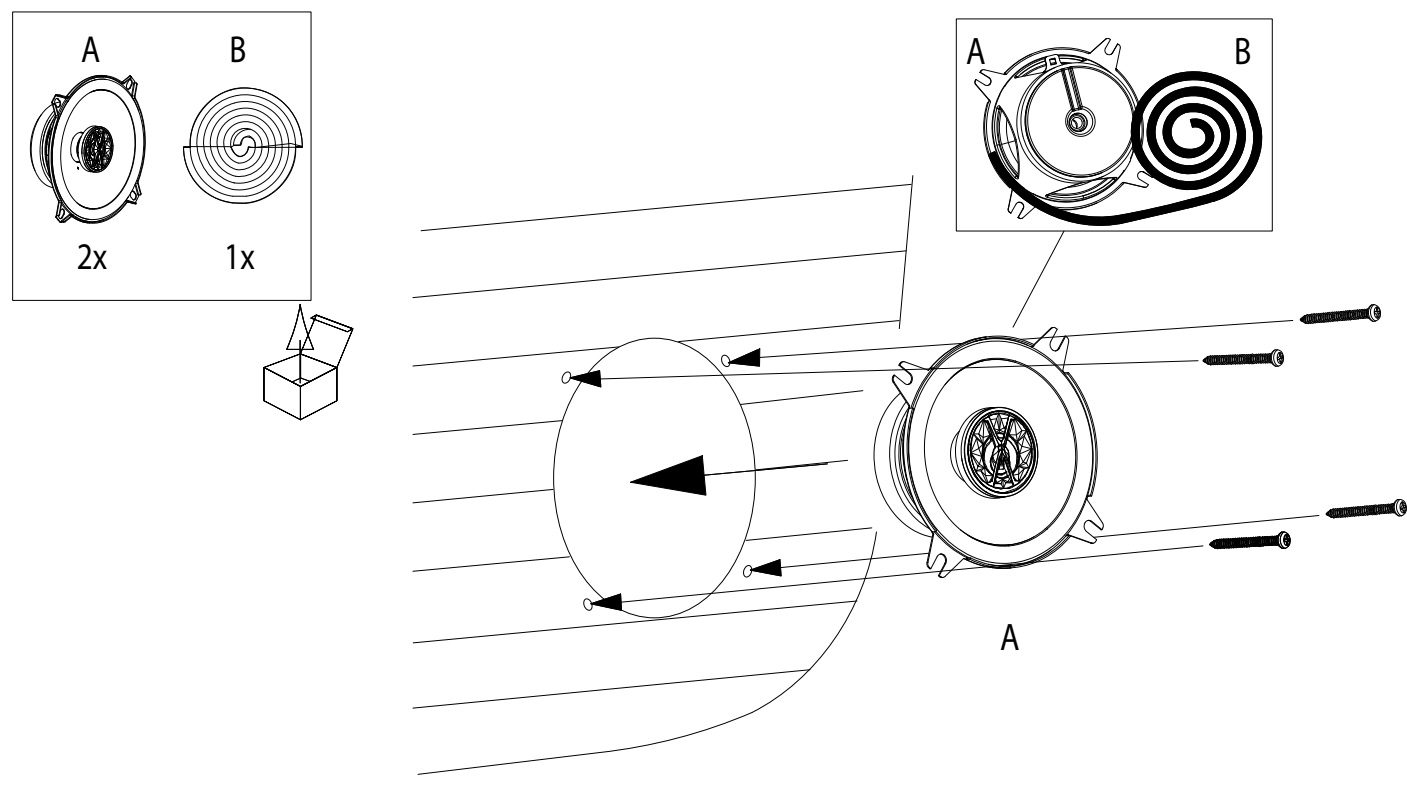
CLUB 9630



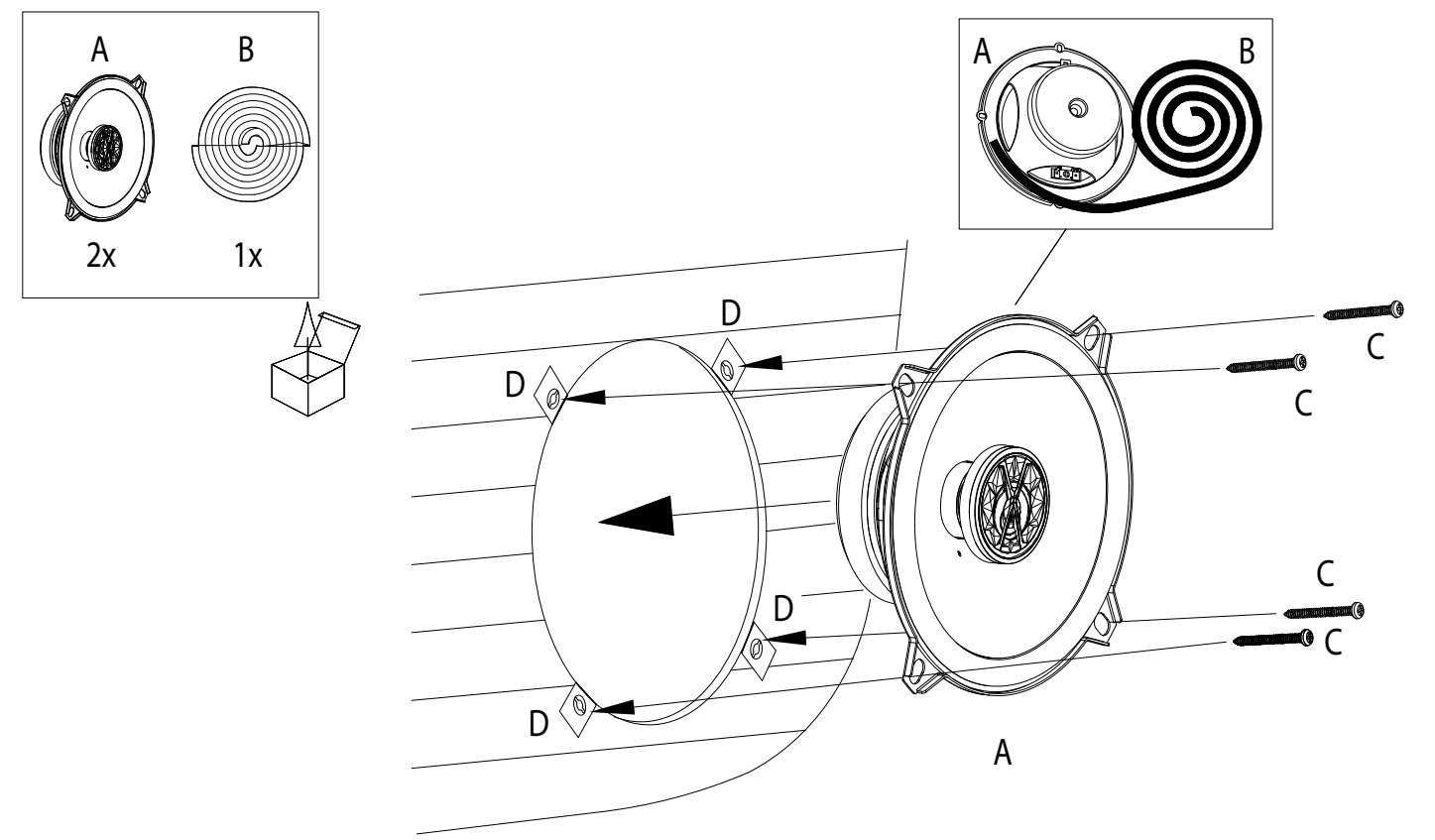
Club 3020



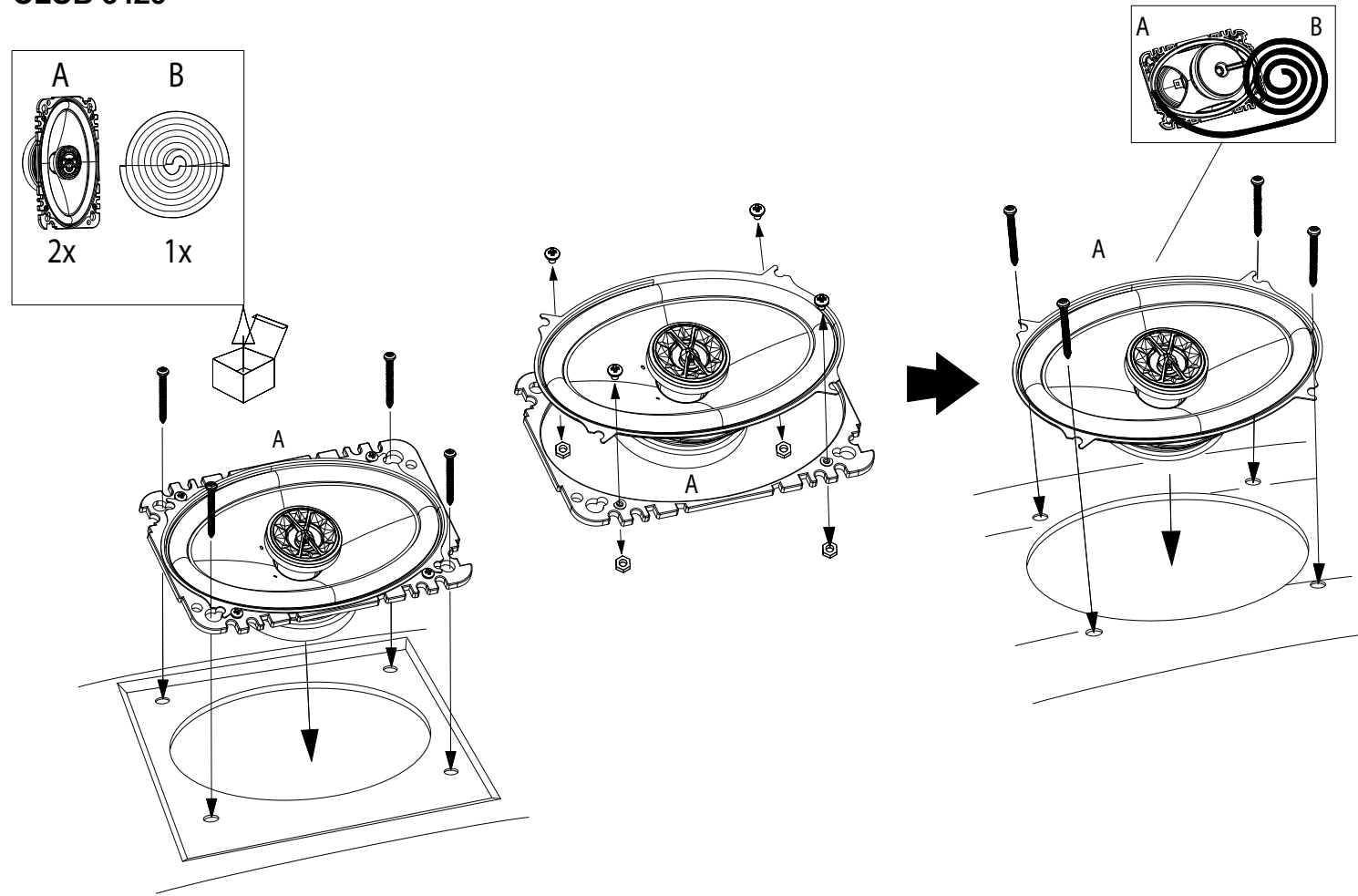
CLUB 4020



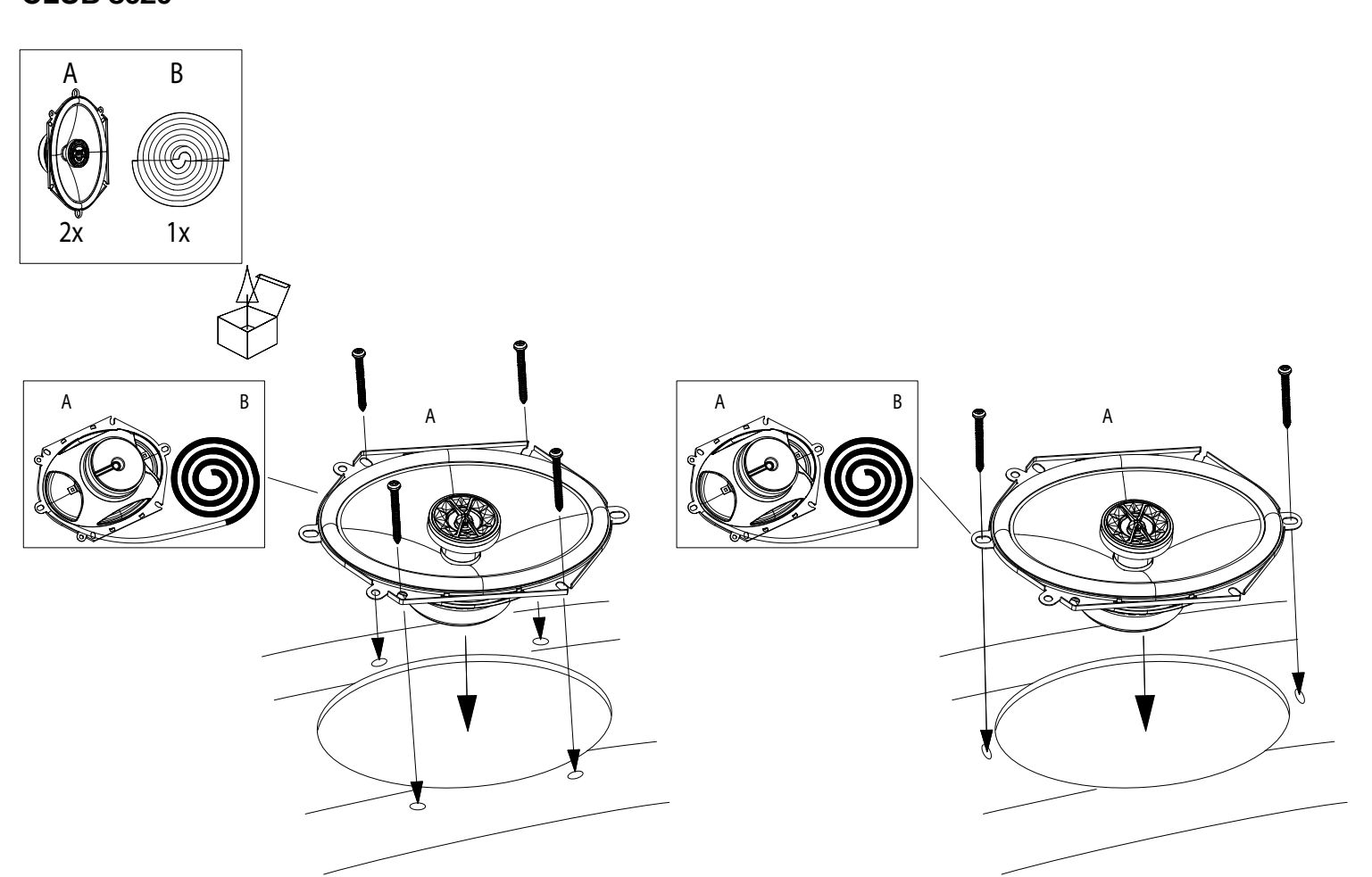
CLUB 5020



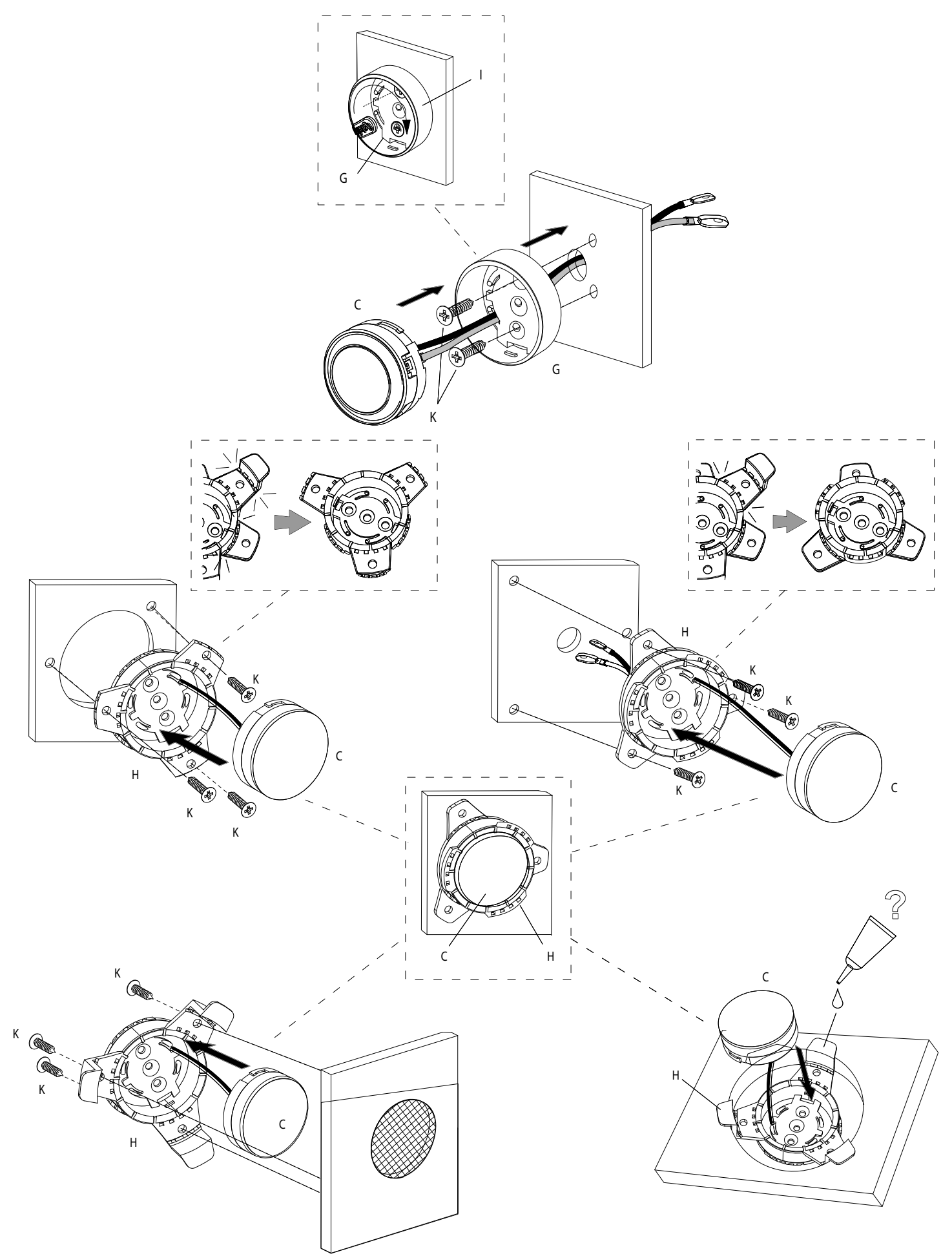
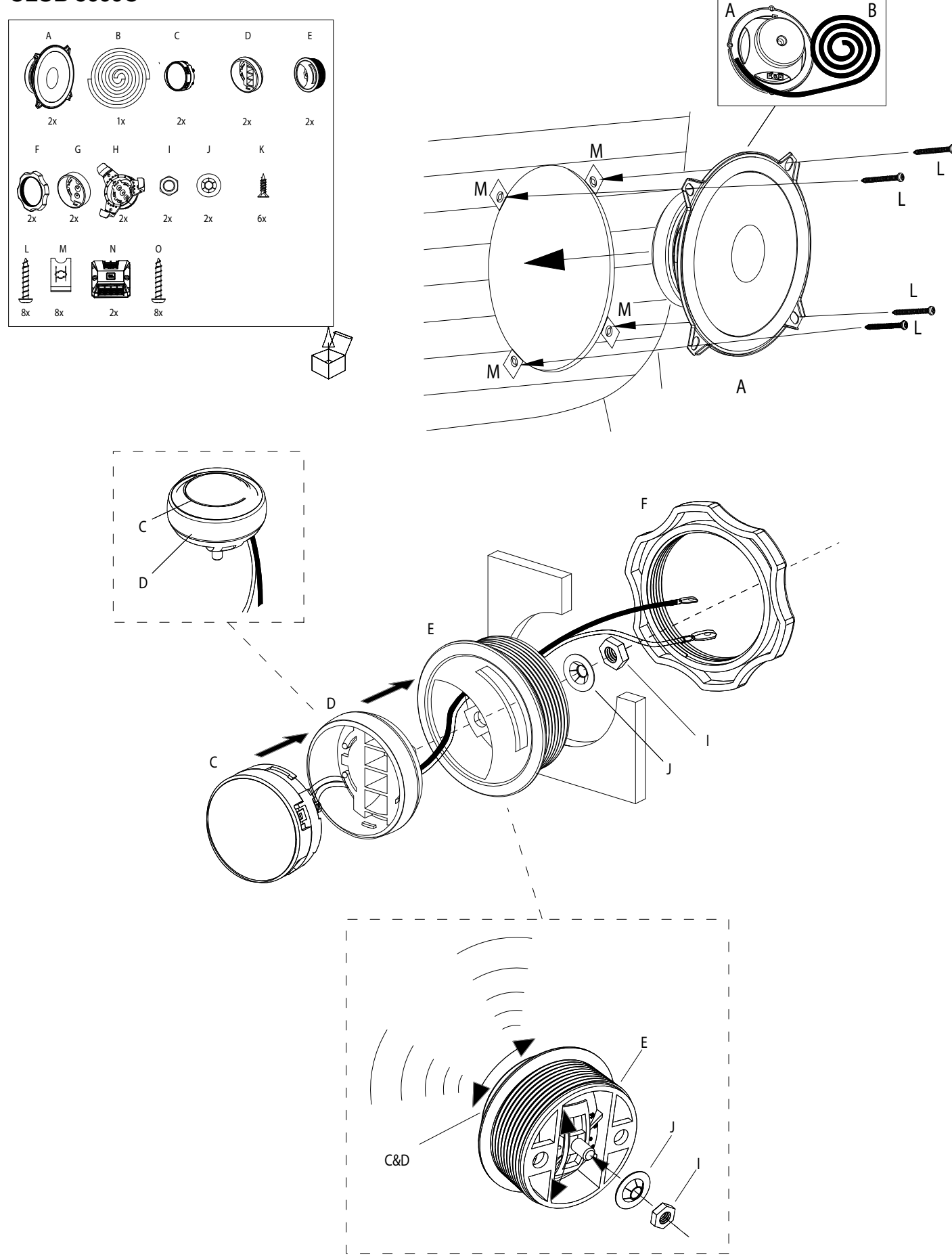
CLUB 6420



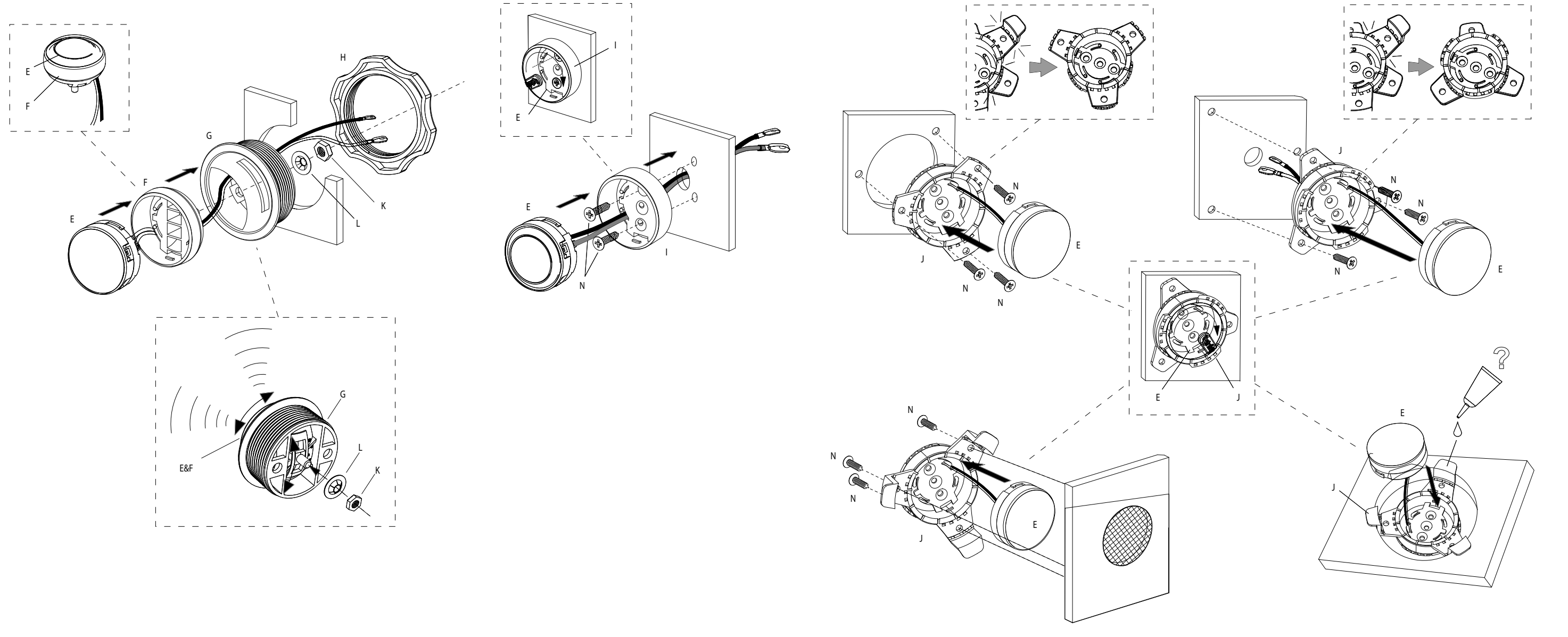
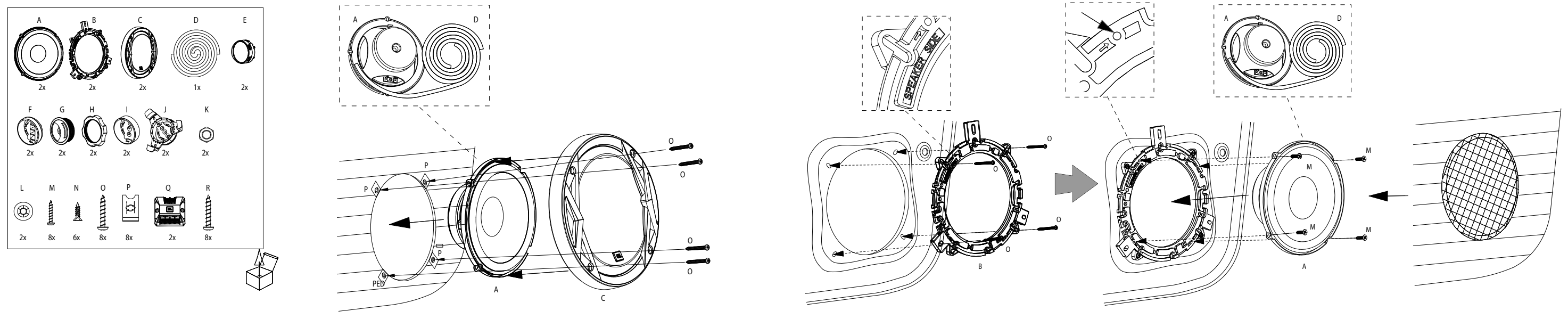
CLUB 8620



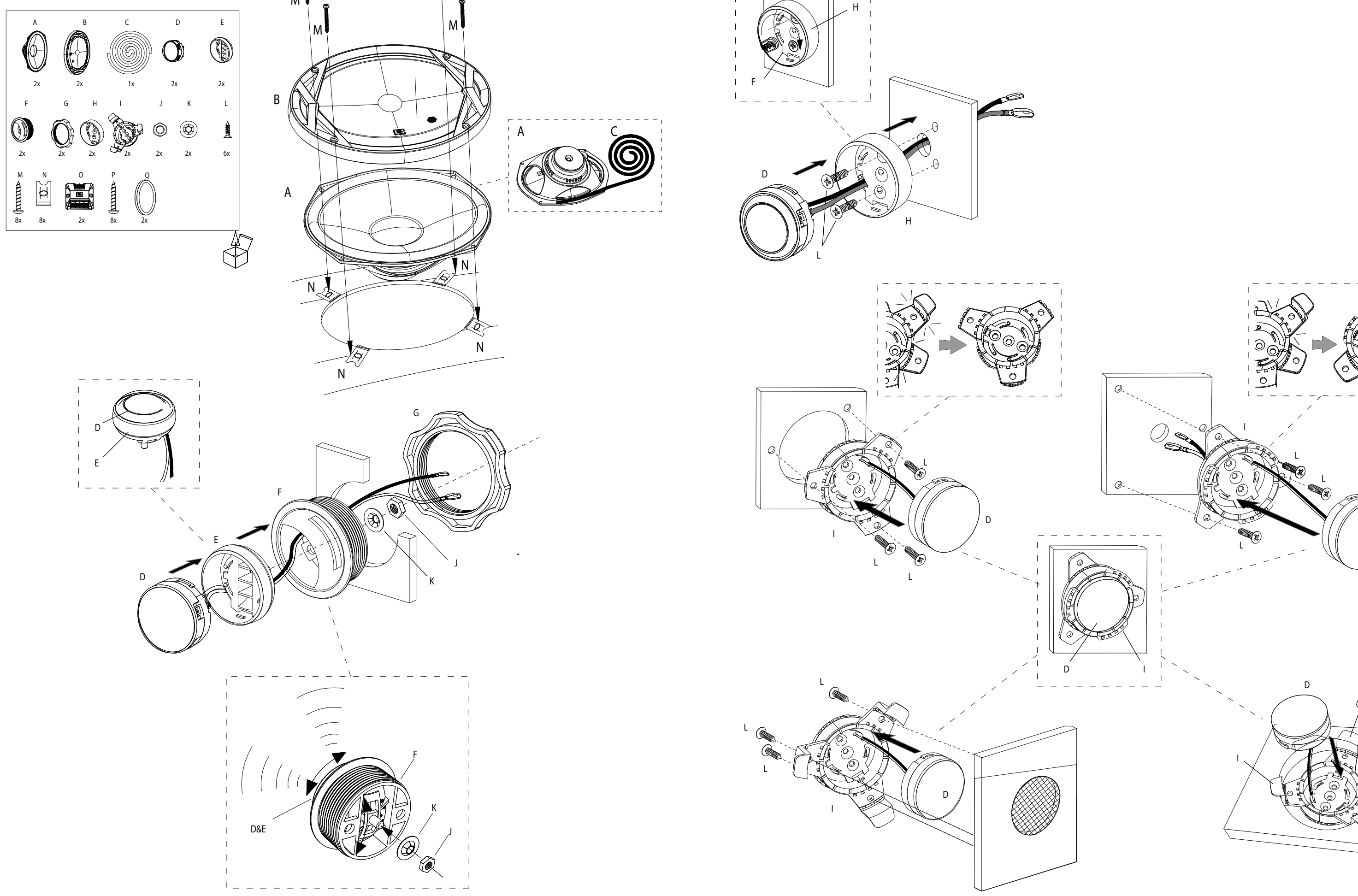
CLUB 5000C



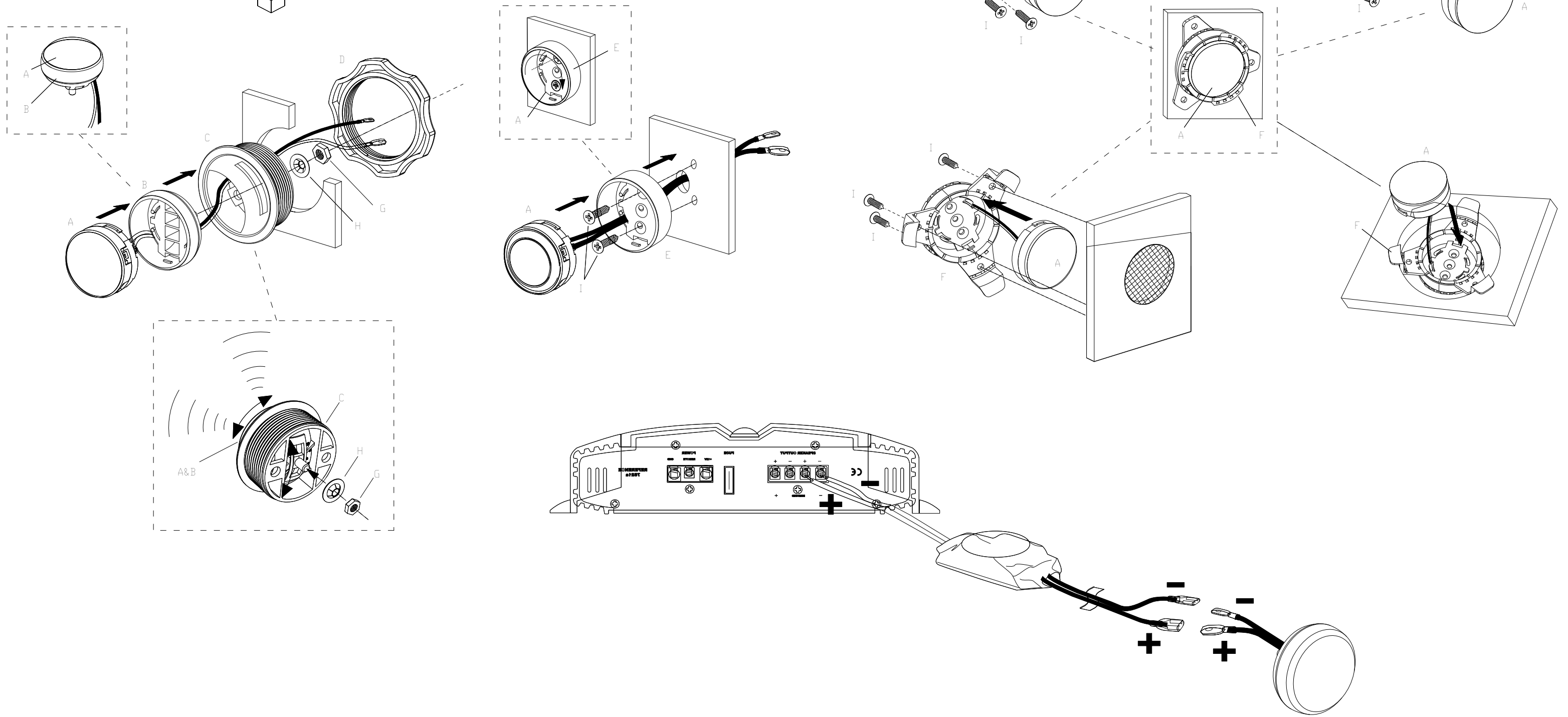
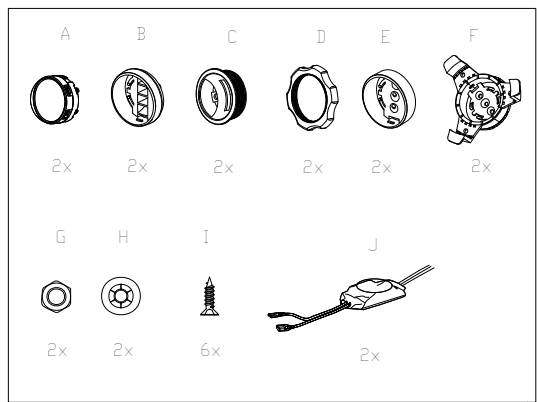
CLUB 6500C



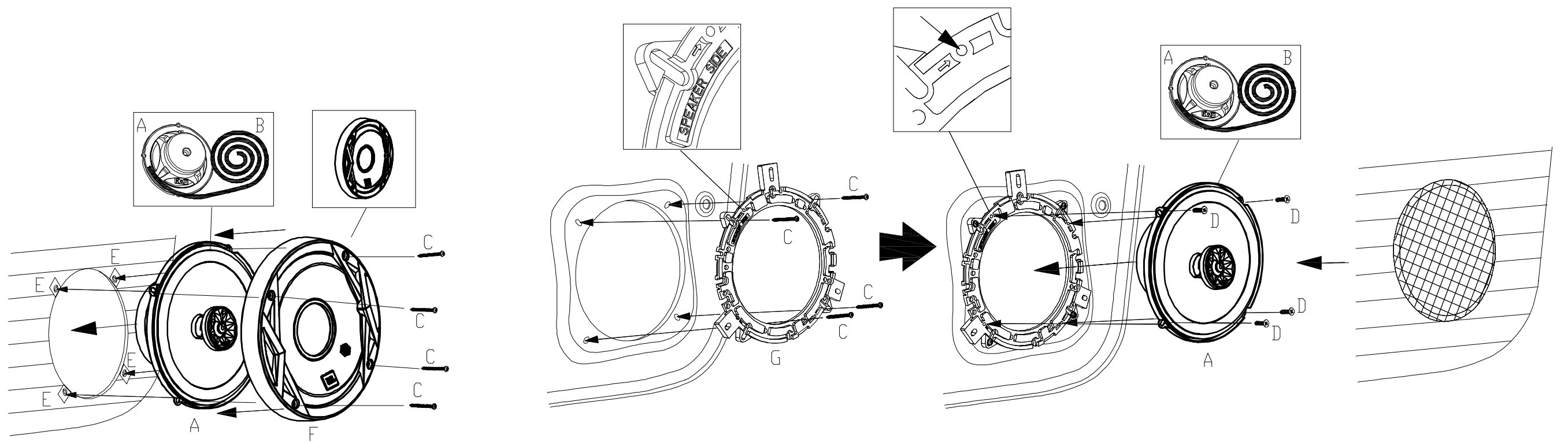
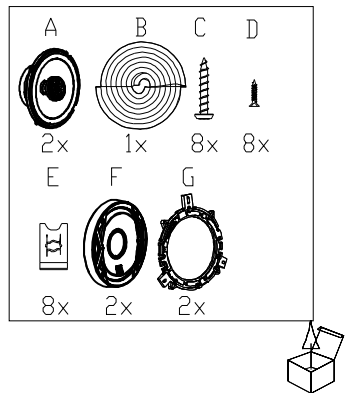
CLUB 9600C



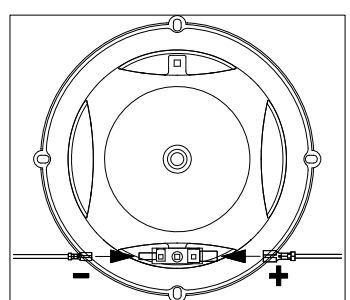
Club 750T



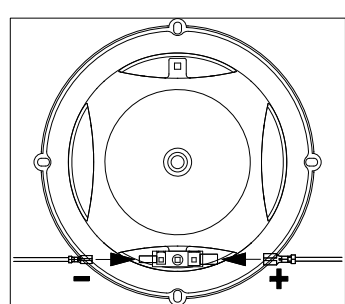
CLUB 6522



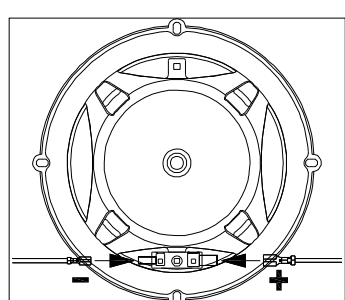
**CLUB 6420 / CLUB 8620 /
CLUB 5020 / CLUB 6520 /
CLUB 3020 / CLUB 4020 /
CLUB 9630**



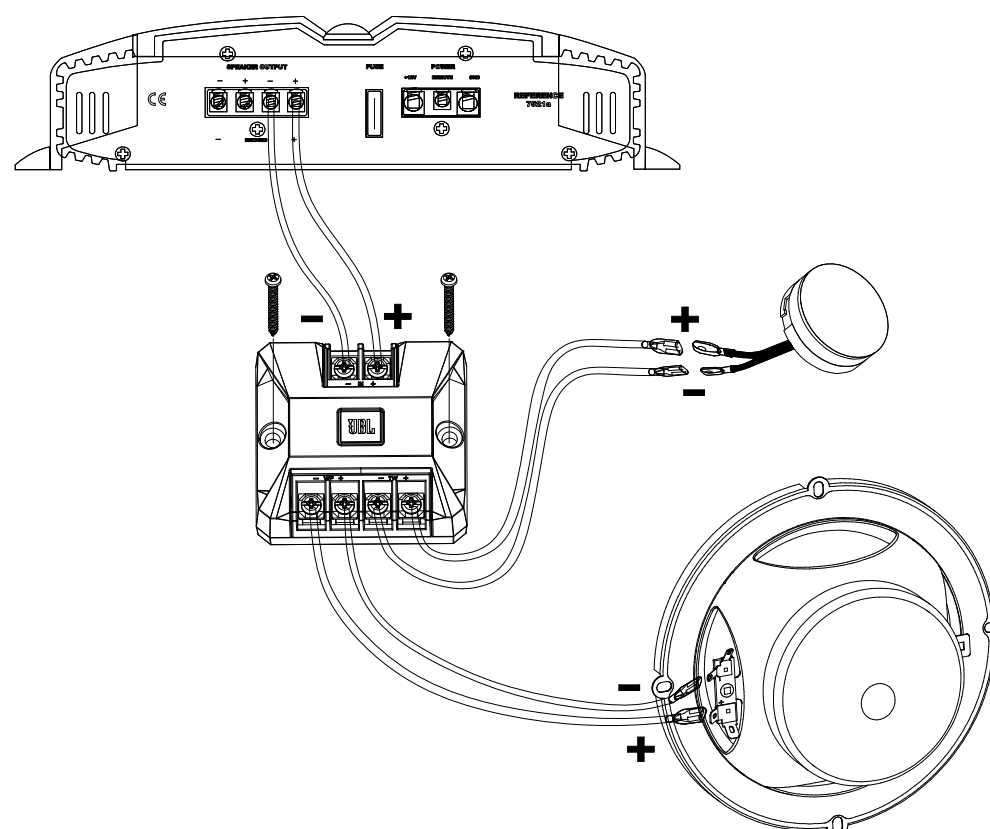
**CLUB 5000C / CLUB 6500C /
CLUB 9600C / CLUB 750T**

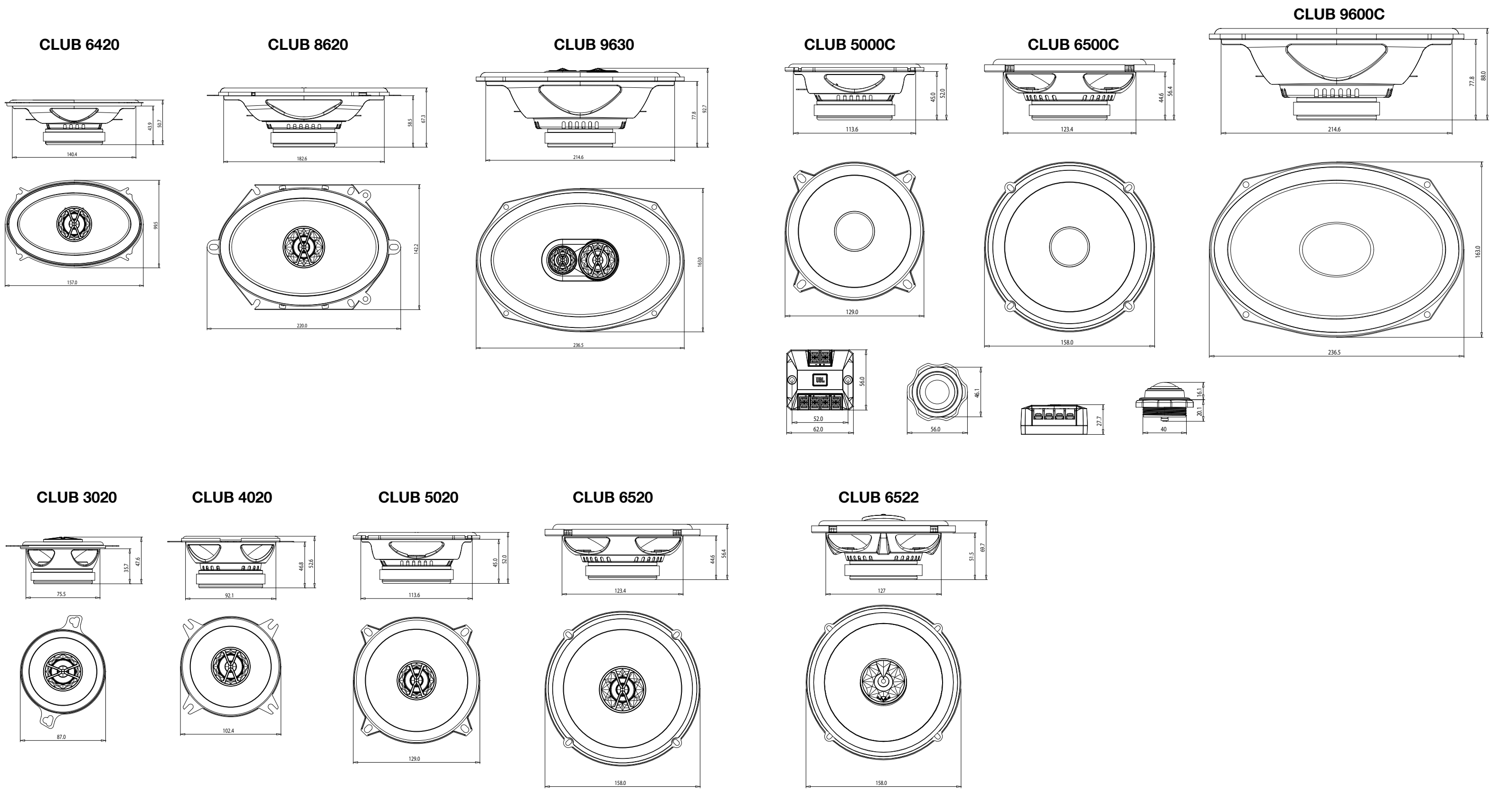


CLUB 6522



CLUB 5000C / CLUB 6500C / CLUB 9600C





SPECIFICATIONS	CLUB 6520	CLUB 9630	CLUB 3020	CLUB 4020	CLUB 5020	CLUB 6420	CLUB 8620	CLUB 5000C	CLUB 6500C	CLUB 9600C	CLUB 6522	CLUB 750T
Type	6-1/2" (160mm) coaxial car speaker	6" x 9" three-way car speaker	3-1/2" (87mm) coaxial car speaker	4" (100mm) coaxial car speaker	5-1/4" (130mm) coaxial car speaker	4" x 6" coaxial car speaker	6" x 8" coaxial car speaker	5-1/4" (130mm) component speaker system	6" x 9" component speaker system	6-1/2" (160mm) high performance coaxial car speaker	3 1/4" (91mm) component tweeter	
Continuous power handling	50W	80W	20W	30W	40W	35W	55W	55W	60W	90W	60W	45W
Peak power handling	150W	240W	60W	90W	120W	105W	165W	165W	180W	270W	180W	135W
Frequency response	55Hz-20kHz	50Hz-20kHz	90Hz-20kHz	75Hz-20kHz	75Hz-20kHz	75Hz-20kHz	65Hz-20kHz	55Hz-20kHz	55Hz-20kHz	53Hz-21kHz	3kHz-20kHz	3kHz-20kHz
Nominal impedance	3.0ohms	3.0ohms	3.0ohms	3.0ohms	3.0ohms	3.0ohms	3.0ohms	3.0ohms	3.0ohms	3.0ohms	3.0ohms	3.0ohms
Sensitivity (2.83V/1m)	92dB	93dB	89dB	90dB	91dB	91dB	93dB	92dB	93dB	93dB	93dB	92dB
External diameter	6-1/4" (158mm)	9-5/16" x 6-7/16" (236.5mm x 163mm)	3-7/16" (87mm)	4-1/16" (102.4mm)	5-1/8" (129mm)	6-3/16" x 3-15/16" (157mm x 99.5mm)	8-1/16" x 5-5/8" (220mm x 142.2mm)	5-1/8" (129mm)	6-1/4" (158mm)	9-5/16" x 6-7/16" (236.5mm x 163mm)	6-1/4" (158mm)	2-1/4" (56mm)
Mounting cutout diameter	4-7/8" (123.4mm)	8-1/2" x 5-3/4" (214.6mm x 144.6mm)	3" (75.5mm)	3-11/16" (82.1mm)	4-1/2" (113.6mm)	5-9/16" x 3-3/8" (140.4mm x 85.1mm)	7-1/4" x 5" (182.6mm x 125.6mm)	4-1/2" (113.6mm)	4-7/8" (123.4mm)	8-1/2" x 5-3/4" (214.6mm x 144.6mm)	5" (127mm)	1-5/8" (40mm)
Total depth	2-1/4" (56.4mm)	3-11/16" (82.7mm)	1-7/8" (47.6mm)	2-1/8" (52.6mm)	2-1/16" (52mm)	2" (50.7mm)	2-11/16" (67.3mm)	2-1/16" (52mm)	2-1/4" (56.4mm)	3-1/2" (88mm)	2-7/8" (69.7mm)	1-7/16" (36.1mm)
Mounting depth	1-13/16" (44.6mm)	3-1/8" (77.8mm)	1-7/16" (35.7mm)	1-7/8" (46.8mm)	1-13/16" (45mm)	1-3/4" (43.9mm)	2-5/16" (68.5mm)	1-13/16" (45mm)	1-13/16" (44.6mm)	3-1/8" (77.8mm)	2-1/16" (51.5mm)	13/16" (20mm)

ESPECIFICACIONES	CLUB 6520	CLUB 9630	CLUB 3020	CLUB 4020	CLUB 5020	CLUB 6420	CLUB 8620	CLUB 5000C	CLUB 6500C	CLUB 9600C	CLUB 6522	CLUB 750T
Tipo	Alta-fidelidad automovilístico coaxial de 6-1/2" (160 mm)	Alta-fidelidad automovilístico de tres vías con 6" x 9"	Alta-fidelidad automovilístico coaxial de 3-1/2" (87 mm)	Alta-fidelidad automovilístico coaxial de 4" (100 mm)	Alta-fidelidad automovilístico coaxial de 5-1/4" (130 mm)	Alta-fidelidad automovilístico coaxial de 4" x 6"	Alta-fidelidad automovilístico coaxial de 6" x 8"	Sistema de alta-fidelidad de componentes de 5-1/4" (130 mm)	Sistema de alta-fidelidad de componentes de 6" x 9"	Alta-fidelidad automovilístico coaxial de 6-1/2" (160 mm)	Alta-fidelidad automovilístico de componentes de 3 1/4" (91 mm)	
Gestión de potencia máxima continua	50W	80W	20W	30W	40W	35W	55W	55W	60W	90W	60W	45W
Gestión de potencia pico	150W	240W	60W	90W	120W	105W	165W	165W	180W	270W	180W	135W
Intervalo de frecuencias	55Hz-20kHz	50Hz-20kHz	90Hz-20kHz	75Hz-20kHz	75Hz-20kHz	75Hz-20kHz	65Hz-20kHz	55Hz-20kHz	55Hz-20kHz	53Hz-21kHz	3kHz-20kHz	3kHz-20kHz
Impedancia nominal	3.0ohms	3.0ohms	3.0ohms	3.0ohms	3.0ohms	3.0ohms	3.0ohms	3.0ohms	3.0ohms	3.0ohms	3.0ohms	3.0ohms
Sensibilidad (2.83V/1m)	92dB	93dB	89dB	90dB	91dB	91dB	93dB	92dB	93dB	93dB	93dB	92dB
Diámetro externo	6-1/4" (158mm)	9-5/16" x 6-7/16" (236.5mm x 163mm)	3-7/16" (87mm)	4-1/16" (102.4mm)	5-1/8" (129mm)	6-3/16" x 3-15/16" (157mm x 99.5mm)	8-1/16" x 5-5/8" (220mm x 142.2mm)	5-1/8" (129mm)	6-1/4" (158mm)	9-5/16" x 6-7/16" (236.5mm x 163mm)	6-1/4" (158mm)	2-1/4" (56mm)
Diámetro de corte para montaje	4-7/8" (123.4mm)	8-1/2" x 5-3/4" (214.6mm x 144.6mm)	3" (75.5mm)	3-11/16" (82.1mm)	4-1/2" (113.6mm)	5-9/16" x 3-3/8" (140.4mm x 85.1mm)	7-1/4" x 5" (182.6mm x 125.6mm)	4-1/2" (113.6mm)	4-7/8" (123.4mm)	8-1/2" x 5-3/4" (214.6mm x 144.6mm)	5" (127mm)	1-5/8" (40mm)
Profundidad total	2-1/4" (56.4mm)	3-11/16" (82.7mm)	1-7/8" (47.6mm)	2-1/8" (52.6mm)	2-1/16" (52mm)	2" (50.7mm)	2-11/16" (67.3mm)	2-1/16" (52mm)	2-1/4" (56.4mm)	3-1/2" (88mm)	2-7/8" (69.7mm)	1-7/16" (36.1mm)
Profundidad de montaje	1-13/16" (44.6mm)	3-1/8" (77.8mm)	1-7/16" (35.7mm)	1-7/8" (46.8mm)	1-13/16" (45mm)	1-3/4" (43.9mm)	2-5/16" (68.5mm)	1-13/16" (45mm)	1-13/16" (44.6mm)	3-1/8" (77.8mm)	2-1/16" (51.5mm)	13/16" (20mm)

SPECIFICATIONS	CLUB 6520	CLUB 9630	CLUB 3020	CLUB 4020	CLUB 5020	CLUB 6420	CLUB 8620	CLUB 5000C	CLUB 6500C	CLUB 9600C	CLUB 6522	CLUB 750T
Type	Head-carrier automobile coaxial 6 1/2" (160mm)	Head-carrier automobile three-way car 6" x 9" (236.5mm x 163mm)	Head-carrier automobile coaxial 3 1/2" (87mm)	Head-carrier automobile coaxial 4" (100mm)	Head-carrier automobile coaxial 5 1/4" (130mm)	Head-carrier automobile coaxial 4" x 6" (100mm x 150mm)	Head-carrier automobile coaxial 6" x 8" (150mm x 203mm)	Systeme haut-parleur automobile complet 130mm (5-1/4")	Systeme haut-parleur automobile complet 150mm (6-1/2")	Systeme haut-parleur automobile complet 157mm (6-1/4")	Head-carrier automobile high performance 6 1/2" (160mm)	Head-carrier auto tweeter 3 1/4" (91mm)
Puissance admissible continue	50W	80W	20W	30W	40W	35W	55W	55W	60W	90W	60W	45W
Puissance admissible crête	150W	240W	60W	90W	120W	105W	165W	165W	180W	270W	180W	135W
Reponse en fréquence	55Hz-20kHz	50Hz-20kHz	90Hz-20kHz	75Hz-20kHz	75Hz-20kHz	75Hz-20kHz	65Hz-20kHz	55Hz-20kHz	55Hz-20kHz	53Hz-21kHz	3kHz-20kHz	3kHz-20kHz
Impedance nominale	3.0ohms	3.0ohms	3.0ohms	3.0ohms	3.0ohms	3.0ohms	3.0ohms	3.0ohms	3.0ohms	3.0ohms	3.0ohms	3.0ohms
Sensibilité (2.83V/1m)	92dB	93dB	89dB	90dB	91dB	91dB	93dB	92dB	93dB	93dB	93dB	92dB
Diamètre externe	6-1/4" (158mm)	9-5/16" x 6-7/16" (236.5mm x 163mm)	3-7/16" (87mm)	4-1/16" (102.4mm)	5-1/8" (129mm)	6-3/16" x 3-15/16" (157mm x 99.5mm)	8-1/16" x 5-5/8" (220mm x 142.2mm)	5-1/8" (129mm)	6-1/4" (158mm)	9-5/16" x 6-7/16" (236.5mm x 163mm)	6-1/4" (158mm)	2-1/4" (56mm)
Diamètre de découpe de montage	4-7/8" (123.4mm)	8-1/2" x 5-3/4" (214.6mm x 144.6mm)	3" (75.5mm)	3-11/16" (82.1mm)	4-1/2" (113.6mm)	5-9/16" x 3-3/8" (140.4mm x 85.1mm)	7-1/4" x 5" (182.6mm x 125.6mm)	4-1/2" (113.6mm)	4-7/8" (123.4mm)	8-1/2" x 5-3/4" (214.6mm x 144.6mm)	5" (127mm)	1-5/8" (40mm)
Profondeur totale	2-1/4" (56.4mm)	3-11/16" (82.7mm)	1-7/8" (47.6mm)	2-1/8" (52.6mm)	2-1/16" (52mm)	2" (50.7mm)	2-11/16" (67.3mm)	2-1/16" (52mm)	2-1/4" (56.4mm)	3-1/2" (88mm)	2-7/8" (69.7mm)	1-7/16" (36.1mm)
Profondeur de montage	1-13/16" (44.6mm)	3-1/8" (77.8mm)	1-7/16" (35.7mm)	1-7/8" (46.8mm)	1-13/16" (45mm)	1-3/4" (43.9mm)	2-5/16" (68.5mm)	1-13/16" (45mm)	1-13/16" (44.6mm)	3-1/8" (77.8mm)	2-1/16" (51.5mm)	13/16" (20mm)

ESPECIFICAÇÕES	CLUB 6520	CLUB 9630	CLUB 3020	CLUB 4020	CLUB 5020	CLUB 6420	CLUB 8620	CLUB 5000C	CLUB 6500C	CLUB 9600C	CLUB 6522	CLUB 750T
Tipo	Alta-fidelidade automotivo coaxial com 6-1/2" (160 mm)	Alta-fidelidade automotivo three-way com 6" x 9"	Alta-fidelidade automotivo coaxial de 3-1/2" (87 mm)	Alta-fidelidade automotivo coaxial de 4" (100 mm)	Alta-fidelidade automotivo coaxial de 5-1/4" (130 mm)	Alta-fidelidade automotivo coaxial com 4" x 6"	Alta-fidelidade automotivo coaxial de 6" x 8"	Sistema de alta-fidelidade de componentes de 5-1/4" (130 mm)	Sistema de alta-fidelidade de componentes de 6" x 9"	Alta-fidelidade automotivo coaxial com 6-1/2" (160 mm)	Alta-fidelidade coaxial de alto desempenho com tweeter de 3 1/4" (91 mm)	
Potência contínua máxima	50W	80W	20W	30W	40W	35W	55W	55W	60W	90W	60W	45W
Potência máxima de pico	150W	240W	60W	90W	120W	105W	165W	165W	180W	270W	180W	135W
Resposta de frequência	55Hz-20kHz	50Hz-20kHz	90Hz-20kHz	75Hz-20kHz	75Hz-20kHz	75Hz-20kHz	65Hz-20kHz	55Hz-20kHz	55Hz-20kHz	53Hz-21kHz	3kHz-20kHz	3kHz-20kHz
Impedância nominal	3.0ohms	3.0ohms	3.0ohms	3.0ohms	3.0ohms	3.0ohms	3.0ohms	3.0ohms	3.0ohms	3.0ohms	3.0ohms	3.0ohms
Sensibilidade (2.83V/1m)	92dB	93dB	89dB	90dB	91dB	91dB	93dB	92dB	93dB	93dB	93dB	92dB
Diâmetro externo	6-1/4" (158mm)	9-5/16" x 6-7/16" (236.5mm x 163mm)	3-7/16" (87mm)	4-1/16" (102.4mm)	5-1/8" (129mm)	6-3/16" x 3-15/16" (157mm x 99.5mm)	8-1/16" x 5-5/8" (220mm x 142.2mm)	5-1/8" (129mm)	6-1/4" (158mm)	9-5/16" x 6-7/16" (236.5mm x 163mm)	6-1/4" (158mm)	2-1/4" (56mm)
Diâmetro de corte de montagem	4-7/8" (123.4mm)	8-1/2" x 5-3/4" (214.6mm x 144.6mm)	3" (75.5mm)	3-11/16" (82.1mm)	4-1/2" (113.6mm)	5-9/16" x 3-3/8" (140.4mm x 85.1mm)	7-1/4" x 5" (182.6mm x 125.6mm)	4-1/2" (113.6mm)	4-7/8" (123.4mm)	8-1/2" x 5-3/4" (214.6mm x 144.6mm)	5" (127mm)	1-5/8" (40mm)
Profundidade total	2-1/4" (56.4mm)	3-11/16" (82.7mm)	1-7/8" (47.6mm)	2-1/8" (52.6mm)	2-1/16" (52mm)	2" (50.7mm)	2-11/16" (67.3mm)	2-1/16" (52mm)	2-1/4" (56.4mm)	3-1/2" (88mm)	2-7/8" (69.7mm)	1-7/16" (36.1mm)
Profundidade de montagem	1-13/16" (44.6mm)	3-1/8" (77.8mm)	1-7/16" (35.7mm)	1-7/8" (46.8mm)	1-13/16" (45mm)	1-3/4" (43.9mm)	2-5/16" (68.5mm)	1-13/16" (45mm)	1-13/16" (44.6mm)	3-1/8" (77.8mm)	2-1/16" (51.5mm)	13/16" (20mm)

TECHNISCHE DATEN	CLUB 6520	CLUB 9630	CLUB 3020	CLUB 4020	CLUB 5020	CLUB 6420	CLUB 8620	CLUB 5000C	CLUB 6500C	CLUB 9600C	CLUB 6522	CLUB 750T
Typ	Koaxial Lautsprecher fürs Auto (160mm)	Drainage Lautsprecher Car Audio (8" x 9")	Koaxial Lautsprecher fürs Auto (87mm)	Koaxial Lautsprecher fürs Auto (100mm)	Koaxial Lautsprecher fürs Auto (130mm)	Koaxial Lautsprecher fürs Auto (4" x 6")	Koaxial Lautsprecher fürs Auto (6" x 8")	Component Lautsprecher-system (130mm)	Component Lautsprecher-system (160mm)	Component Lautsprecher-system (6" x 9")	Leistungsfähiger Koaxial Lautsprecher fürs Auto (160mm)	Component Tweeter (91mm)
Kontinuierliche Leistung	50W	80W	20W	30W	40W	35W	55W	55W	60W	90W	60W	45W
Spitzenleistung	150W	240W	60W	90W	120W	105W	165W	165W	180W	270W	180W	135W
Frequenzbereich	55Hz-20kHz	50Hz-20kHz	90Hz-20kHz	75Hz-20kHz	75Hz-20kHz	75Hz-20kHz	65Hz-20kHz	55Hz-20kHz	55Hz-20kHz	53Hz-21kHz	3kHz-20kHz	3kHz-20kHz
Nennimpedanz	3.0ohms	3.0ohms	3.0ohms	3.0ohms	3.0ohms	3.0ohms	3.0ohms	3.0ohms	3.0ohms	3.0ohms	3.0ohms	3.0ohms
Empfindlichkeit (2.83V/1m)	92dB	93dB	89dB	90dB	91dB	91dB	93dB	92dB	93dB	93dB	93dB	92dB
Äußerer Durchmesser	6-1/4" (158mm)	9-5/16" x 6-7/16" (236.5mm x 163mm)	3-7/16" (87mm)	4-1/16" (102.4mm)	5-1/8" (129mm)	6-3/16" x 3-15/16" (157mm x 99.5mm)	8-1/16" x 5-5/8" (220mm x 142.2mm)	5-1/8" (129mm)	6-1/4" (158mm)	9-5/16" x 6-7/16" (236.5mm x 163mm)	6-1/4" (158mm)	2-1/4" (56mm)
Montageausschnitt-Durchmesser	4-7/8" (123.4mm)	8-1/2" x 5-3/4" (214.6mm x 144.6mm)	3" (75.5mm)	3-11/16" (82.1mm)	4-1/2" (113.6mm)	5-9/16" x 3-3/8" (140.4mm x 85.1mm)	7-1/4" x 5" (182.6mm x 125.6mm)	4-1/2" (113.6mm)	4-7/8" (123.4mm)	8-1/2" x 5-3/4" (214.6mm x 144.6mm)	5" (127mm)	1-5/8" (40mm)
Gesamtiefe	2-1/4" (56.4mm)	3-11/16" (82.7mm)	1-7/8" (47.6mm)	2-1/8" (52.6mm)	2-1/16" (52mm)	2" (50.7mm)	2-11/16" (67.3mm)	2-1/16" (52mm)	2-1/4" (56.4mm)	3-1/2" (88mm)	2-7/8" (69.7mm)	1-7/16" (36.1mm)
Montagetiefe	1-13/16" (44.6mm)	3-1/8" (77.8mm)	1-7/16" (35.7mm)	1-7/8" (46.8mm)	1-13/16" (45mm)	1-3/4" (43.9mm)	2-5/16" (68.5mm)	1-13/16" (45mm)	1-13/16" (44.6mm)	3-1/8" (77.8mm)	2-1/16" (51.5mm)	13/16" (20mm)

SPECIFICATIES	CLUB 6520	CLUB 9630	CLUB 3020	CLUB 4020	CLUB 5020	CLUB 6420	CLUB 8620	CLUB 5000C	CLUB 6500C	CLUB 9600C	CLUB 6522	CLUB 750T
Type	6-1/2" (160 mm) coaxial auto-luidspreker	6" x 9" drainage auto-luidspreker	3-1/2" (87 mm) coaxiale auto-luidspreker	4" (100 mm) coaxiale auto-luidspreker	5-1/4" (130 mm) coaxiale auto-luidspreker	4" x 6" coaxiale auto-luidspreker	6" x 8" coaxiale auto-luidspreker	Systeem van auto-luidsprekercomponenten (130 mm)	Systeem van auto-luidsprekercomponenten (160 mm)	Systeem van auto-luidsprekercomponenten (6" x 9")	Leistungsfähiger Koaxial-Lautsprecher fürs Auto (160 mm)	Component Tweeter (91 mm)
Piekvermogen	50W	80W	20W	30W	40W	35W	55W	55W	60W	90W	60W	45W
Piekvermogen	150W	240W	60W	90W	120W	105W	165W	165W	180W	270W	180W	135W
Frequentiebereik	55Hz-20kHz	50Hz-20kHz	90Hz-20kHz	75Hz-20kHz	75Hz-20kHz	75Hz-20kHz	65Hz-20kHz	55Hz-20kHz	55Hz-20kHz	53Hz-21kHz		

ТЕХНИЧЕСКИЕ ХАРАКТЕРИСТИКИ	CLUB 6520	CLUB 9630	CLUB 3020	CLUB 4020	CLUB 5020	CLUB 6420	CLUB 8620	CLUB 5000C	CLUB 6500C	CLUB 9600C	CLUB 6522	CLUB 750T
Тип	Косильный автомобильный динамик (размер 160 мм (6,3 дюйма))	Трёхполосный автомобильный динамик (размер 171 мм (6,7 дюйма))	Косильный автомобильный динамик (размер 171 мм (6,7 дюйма))	Косильный автомобильный динамик (размер 171 мм (6,7 дюйма))	Косильный автомобильный динамик (размер 171 мм (6,7 дюйма))	Косильный автомобильный динамик (размер 171 мм (6,7 дюйма))	Косильный автомобильный динамик (размер 171 мм (6,7 дюйма))	Косильный автомобильный динамик (размер 171 мм (6,7 дюйма))	Косильный автомобильный динамик (размер 171 мм (6,7 дюйма))	Косильный автомобильный динамик (размер 171 мм (6,7 дюйма))	Косильный автомобильный динамик (размер 171 мм (6,7 дюйма))	Косильный автомобильный динамик (размер 171 мм (6,7 дюйма))
Постоянная мощность	50W	80W	20W	30W	40W	35W	55W	55W	60W	90W	60W	45W
Пиковая мощность	150W	240W	60W	90W	120W	105W	165W	165W	180W	270W	180W	135W
Эффективный рабочий диапазон частот	55Hz-20kHz	50Hz-20kHz	90Hz-20kHz	75Hz-20kHz	75Hz-20kHz	75Hz-20kHz	65Hz-20kHz	70Hz-20kHz	55Hz-20kHz	50Hz-20kHz	53Hz-21kHz	3kHz-20kHz
Импеданс	3.0ohms	3.0ohms	3.0ohms	3.0ohms	3.0ohms	3.0ohms	3.0ohms	3.0ohms	3.0ohms	3.0ohms	3.0ohms	3.0ohms
Номинимальный импеданс	3.0ohms	3.0ohms	3.0ohms	3.0ohms	3.0ohms	3.0ohms	3.0ohms	3.0ohms	3.0ohms	3.0ohms	3.0ohms	3.0ohms
Чувствительность (2.83V/1m)	92dB	93dB	89dB	90dB	91dB	91dB	93dB	91dB	92dB	93dB	93dB	92dB
Внешний диаметр	6-1/4" (158mm)	9-5/16" X 6-7/16" (236.5mm X 163mm)	3-7/16" (87mm)	4-1/16" (102.4mm)	5-1/8" (129mm)	6-3/16" X 3-15/16" (157mm X 99.5mm)	8-1/16" X 5-5/8" (220mm X 142.2mm)	5-1/8" (129mm)	6-1/4" (158mm)	9-5/16" X 6-7/16" (236.5mm X 163mm)	6-1/4" (158mm)	2-1/4" (56mm)
Диаметр выемки для установки	4-7/8" (123.4mm)	8-1/2" X 5-3/4" (214.6mm X 144.6mm)	3" (75.5mm)	3-11/16" (82.1mm)	4-1/2" (113.6mm)	5-9/16" X 3-3/8" (140.4mm X 85.1mm)	7-1/4" X 5" (182.6mm X 125.6mm)	4-1/2" (113.6mm)	4-7/8" (123.4mm)	8-1/2" X 5-3/4" (214.6mm X 144.6mm)	5" (127mm)	1-5/8" (40mm)
Общая глубина	2-1/4" (56.4mm)	3-11/16" (82.7mm)	1-7/8" (47.6mm)	2-1/8" (52.6mm)	2-1/16" (52mm)	2" (50.7mm)	2-11/16" (67.3mm)	2-1/16" (52mm)	2-1/4" (56.4mm)	3-1/2" (88mm)	2-7/8" (69.7mm)	1-7/16" (36.1mm)
Глубина установки	1-13/16" (44.6mm)	3-1/8" (77.8mm)	1-7/16" (35.7mm)	1-7/8" (46.8mm)	1-13/16" (45mm)	1-3/4" (43.9mm)	2-5/16" (58.5mm)	1-13/16" (45mm)	1-13/16" (44.6mm)	3-1/8" (77.8mm)	2-1/16" (51.5mm)	13/16" (20mm)

仕様書	CLUB 6520	CLUB 9630	CLUB 3020	CLUB 4020	CLUB 5020	CLUB 6420	CLUB 8620	CLUB 5000C	CLUB 6500C	CLUB 9600C	CLUB 6522	CLUB 750T
型	6-1/2インチ(160mm) 同軸カースピーカー	6インチx6インチ(157mm X 157mm) 3バンド同軸カースピーカー	3-1/2インチ(87mm) 同軸カースピーカー	4インチ(100mm) 同軸カースピーカー	5-1/4インチ(130mm) 同軸カースピーカー	4インチx6インチ(102mm X 152mm) 同軸カースピーカー	6インチx5-5/8インチ(157mm X 142mm) 同軸カースピーカー	5-1/4インチ(130mm) コンポーネントシステム	6-1/2インチ(160mm) コンポーネントシステム	6インチx6-7/16インチ(157mm X 163mm) コンポーネントシステム	6-1/2インチ(160mm) 14Vフォースピーカー	3-1/4インチ(91mm) コンポーネントシステム
連続許容入力	50W	80W	20W	30W	40W	35W	55W	55W	60W	90W	60W	45W
ピーク許容入力	150W	240W	60W	90W	120W	105W	165W	165W	180W	270W	180W	135W
周波数特性	55Hz-20kHz	50Hz-20kHz	90Hz-20kHz	75Hz-20kHz	75Hz-20kHz	75Hz-20kHz	65Hz-20kHz	70Hz-20kHz	55Hz-20kHz	50Hz-20kHz	53Hz-21kHz	3kHz-20kHz
公称インピーダンス	3.0ohms	3.0ohms	3.0ohms	3.0ohms	3.0ohms	3.0ohms	3.0ohms	3.0ohms	3.0ohms	3.0ohms	3.0ohms	3.0ohms
感度(2.83V/1m)	92dB	93dB	89dB	90dB	91dB	91dB	93dB	91dB	92dB	93dB	93dB	92dB
外部径	6-1/4" (158mm)	9-5/16" X 6-7/16" (236.5mm X 163mm)	3-7/16" (87mm)	4-1/16" (102.4mm)	5-1/8" (129mm)	6-3/16" X 3-15/16" (157mm X 99.5mm)	8-1/16" X 5-5/8" (220mm X 142.2mm)	5-1/8" (129mm)	6-1/4" (158mm)	9-5/16" X 6-7/16" (236.5mm X 163mm)	6-1/4" (158mm)	2-1/4" (56mm)
取り付けカットアウト直径	4-7/8" (123.4mm)	8-1/2" X 5-3/4" (214.6mm X 144.6mm)	3" (75.5mm)	3-11/16" (82.1mm)	4-1/2" (113.6mm)	5-9/16" X 3-3/8" (140.4mm X 85.1mm)	7-1/4" X 5" (182.6mm X 125.6mm)	4-1/2" (113.6mm)	4-7/8" (123.4mm)	8-1/2" X 5-3/4" (214.6mm X 144.6mm)	5" (127mm)	1-5/8" (40mm)
トールル寸法	2-1/4" (56.4mm)	3-11/16" (82.7mm)	1-7/8" (47.6mm)	2-1/8" (52.6mm)	2-1/16" (52mm)	2" (50.7mm)	2-11/16" (67.3mm)	2-1/16" (52mm)	2-1/4" (56.4mm)	3-1/2" (88mm)	2-7/8" (69.7mm)	1-7/16" (36.1mm)
埋め込み寸法	1-13/16" (44.6mm)	3-1/8" (77.8mm)	1-7/16" (35.7mm)	1-7/8" (46.8mm)	1-13/16" (45mm)	1-3/4" (43.9mm)	2-5/16" (58.5mm)	1-13/16" (45mm)	1-13/16" (44.6mm)	3-1/8" (77.8mm)	2-1/16" (51.5mm)	13/16" (20mm)

DANE TECHNICZNE	CLUB 6520	CLUB 9630	CLUB 3020	CLUB 4020	CLUB 5020	CLUB 6420	CLUB 8620	CLUB 5000C	CLUB 6500C	CLUB 9600C	CLUB 6522	CLUB 750T
Wzrostaj	współosiowy głośnik samochodowy 160 mm (6-1/2")	trójzónowy głośnik samochodowy 6" x 6" (157mm X 157mm)	współosiowy głośnik samochodowy 87 mm (3-1/2")	współosiowy głośnik samochodowy 100 mm (4")	współosiowy głośnik samochodowy 130 mm (5-1/4")	współosiowy głośnik samochodowy 4" x 6" (102mm X 152mm)	współosiowy głośnik samochodowy 6" x 5-5/8" (157mm X 142mm)	zestaw głośnikowy 5-1/4" (130mm)	zestaw głośnikowy 6-1/2" (160mm)	zestaw głośnikowy 6" x 6-7/16" (157mm X 163mm)	wysoko wydajny współosiowy głośnik samochodowy 160 mm (6-1/2")	głośnik 3-1/4" (91mm)
Moc (ciągła)	50W	80W	20W	30W	40W	35W	55W	55W	60W	90W	60W	45W
Moc (szczytowa)	150W	240W	60W	90W	120W	105W	165W	165W	180W	270W	180W	135W
Przebieg przeniesienia	55Hz-20kHz	50Hz-20kHz	90Hz-20kHz	75Hz-20kHz	75Hz-20kHz	75Hz-20kHz	65Hz-20kHz	70Hz-20kHz	55Hz-20kHz	50Hz-20kHz	53Hz-21kHz	3kHz-20kHz
Impedancja znamionowa	3.0ohms	3.0ohms	3.0ohms	3.0ohms	3.0ohms	3.0ohms	3.0ohms	3.0ohms	3.0ohms	3.0ohms	3.0ohms	3.0ohms
Wzrostaj (przy 2.83V/1m)	92dB	93dB	89dB	90dB	91dB	91dB	93dB	91dB	92dB	93dB	93dB	92dB
Srednica zewnętrzna	6-1/4" (158mm)	9-5/16" X 6-7/16" (236.5mm X 163mm)	3-7/16" (87mm)	4-1/16" (102.4mm)	5-1/8" (129mm)	6-3/16" X 3-15/16" (157mm X 99.5mm)	8-1/16" X 5-5/8" (220mm X 142.2mm)	5-1/8" (129mm)	6-1/4" (158mm)	9-5/16" X 6-7/16" (236.5mm X 163mm)	6-1/4" (158mm)	2-1/4" (56mm)
Srednica wycięci do montażu	4-7/8" (123.4mm)	8-1/2" X 5-3/4" (214.6mm X 144.6mm)	3" (75.5mm)	3-11/16" (82.1mm)	4-1/2" (113.6mm)	5-9/16" X 3-3/8" (140.4mm X 85.1mm)	7-1/4" X 5" (182.6mm X 125.6mm)	4-1/2" (113.6mm)	4-7/8" (123.4mm)	8-1/2" X 5-3/4" (214.6mm X 144.6mm)	5" (127mm)	1-5/8" (40mm)
Całkowita głębokość	2-1/4" (56.4mm)	3-11/16" (82.7mm)	1-7/8" (47.6mm)	2-1/8" (52.6mm)	2-1/16" (52mm)	2" (50.7mm)	2-11/16" (67.3mm)	2-1/16" (52mm)	2-1/4" (56.4mm)	3-1/2" (88mm)	2-7/8" (69.7mm)	1-7/16" (36.1mm)
Głębokość montażowa	1-13/16" (44.6mm)	3-1/8" (77.8mm)	1-7/16" (35.7mm)	1-7/8" (46.8mm)	1-13/16" (45mm)	1-3/4" (43.9mm)	2-5/16" (58.5mm)	1-13/16" (45mm)	1-13/16" (44.6mm)	3-1/8" (77.8mm)	2-1/16" (51.5mm)	13/16" (20mm)

规格	CLUB 6520	CLUB 9630	CLUB 3020	CLUB 4020	CLUB 5020	CLUB 6420	CLUB 8620	CLUB 5000C	CLUB 6500C	CLUB 9600C	CLUB 6522	CLUB 750T
型号	6-1/2" (160mm) 同軸汽車喇叭	6" x 6" 三频汽車喇叭	3-1/2" (87mm) 同軸汽車喇叭	4" (100mm) 同軸汽車喇叭	5-1/4" (130mm) 同軸汽車喇叭	4" x 6" 同軸汽車喇叭	6" x 5-5/8" 同軸汽車喇叭	5-1/4" (130mm) 元件喇叭系統	6-1/2" (160mm) 元件喇叭系統	6" x 6-7/16" 元件喇叭系統	6-1/2" (160mm) 高功率同軸汽車喇叭	3/4" (91mm) 同軸汽車喇叭
連續功率處理	50W	80W	20W	30W	40W	35W	55W	55W	60W	90W	60W	45W
峰值的功率處理	150W	240W	60W	90W	120W	105W	165W	165W	180W	270W	180W	135W
頻率響應	55Hz-20kHz	50Hz-20kHz	90Hz-20kHz	75Hz-20kHz	75Hz-20kHz	75Hz-20kHz	65Hz-20kHz	70Hz-20kHz	55Hz-20kHz	50Hz-20kHz	53Hz-21kHz	3kHz-20kHz
標稱阻抗	3.0ohms	3.0ohms	3.0ohms	3.0ohms	3.0ohms	3.0ohms	3.0ohms	3.0ohms	3.0ohms	3.0ohms	3.0ohms	3.0ohms
灵敏度(2.83V/1m)	92dB	93dB	89dB	90dB	91dB	91dB	93dB	91dB	92dB	93dB	93dB	92dB
外径	6-1/4" (158mm)	9-5/16" X 6-7/16" (236.5mm X 163mm)	3-7/16" (87mm)	4-1/16" (102.4mm)	5-1/8" (129mm)	6-3/16" X 3-15/16" (157mm X 99.5mm)	8-1/16" X 5-5/8" (220mm X 142.2mm)	5-1/8" (129mm)	6-1/4" (158mm)	9-5/16" X 6-7/16" (236.5mm X 163mm)	6-1/4" (158mm)	2-1/4" (56mm)
安裝開孔直徑	4-7/8" (123.4mm)	8-1/2" X 5-3/4" (214.6mm X 144.6mm)	3" (75.5mm)	3-11/16" (82.1mm)	4-1/2" (113.6mm)	5-9/16" X 3-3/8" (140.4mm X 85.1mm)	7-1/4" X 5" (182.6mm X 125.6mm)	4-1/2" (113.6mm)	4-7/8" (123.4mm)	8-1/2" X 5-3/4" (214.6mm X 144.6mm)	5" (127mm)	1-5/8" (40mm)
總深度	2-1/4" (56.4mm)	3-11/16" (82.7mm)	1-7/8" (47.6mm)	2-1/8" (52.6mm)	2-1/16" (52mm)	2" (50.7mm)	2-11/16" (67.3mm)	2-1/16" (52mm)	2-1/4" (56.4mm)	3-1/2" (88mm)	2-7/8" (69.7mm)	1-7/16" (36.1mm)
安裝深度	1-13/16" (44.6mm)	3-1/8" (77.8mm)	1-7/16" (35.7mm)	1-7/8" (46.8mm)	1-13/16" (45mm)	1-3/4" (43.9mm)	2-5/16" (58.5mm)	1-13/16" (45mm)	1-13/16" (44.6mm)	3-1/8" (77.8mm)	2-1/16" (51.5mm)	13/16" (20mm)

SPEŠIFIKASI	CLUB 6520	CLUB 9630	CLUB 3020	CLUB 4020	CLUB 5020	CLUB 6420	CLUB 8620	CLUB 5000C	CLUB 6500C	CLUB 9600C	CLUB 6522	CLUB 750T
Typ	Speaker mobil koaksial 6-1/2" (160mm)	Speaker mobil tiga jalur 6" x 6" (157mm X 157mm)	Speaker mobil koaksial 3-1/2" (87mm)	Speaker mobil koaksial 4" (100mm)	Speaker mobil koaksial 5-1/4" (130mm)	Speaker mobil koaksial 4" x 6" (102mm X 152mm)	Speaker mobil koaksial 6" x 5-5/8" (157mm X 142mm)	Sistem speaker komponen 5-1/4" (130mm)	Sistem speaker komponen 6-1/2" (160mm)	Sistem speaker komponen 6" x 6-7/16" (157mm X 163mm)	Speaker mobil koaksial performa tinggi 6-1/2" (160mm)	Tweeter komponen 3/4" (91mm)
Penanganan daya kontinu	50W	80W	20W	30W	40W	35W	55W	55W	60W	90W	60W	45W
Penanganan daya puncak	150W	240W	60W	90W	120W	105W	165W	165W	180W	270W	180W	135W
Respons frekuensi	55Hz-20kHz	50Hz-20kHz	90Hz-20kHz	75Hz-20kHz	75Hz-20kHz	75Hz-20kHz	65Hz-20kHz	70Hz-20kHz	55Hz-20kHz	50Hz-20kHz	53Hz-21kHz	3kHz-20kHz
Impedansi Nominal	3.0ohms	3.0ohms	3.0ohms	3.0ohms	3.0ohms	3.0ohms	3.0ohms	3.0ohms	3.0ohms	3.0ohms	3.0ohms	3.0ohms
Sensitivitas (2.83V/1m)	92dB	93dB	89dB	90dB	91dB	91dB	93dB	91dB	92dB	93dB	93dB	92dB
Diameter eksternal	6-1/4" (158mm)	9-5/16" X 6-7/16" (236.5mm X 163mm)	3-7/16" (87mm)	4-1/16" (102.4mm)	5-1/8" (129mm)	6-3/16" X 3-15/16" (157mm X 99.5mm)	8-1/16" X 5-5/8" (220mm X 142.2mm)	5-1/8" (129mm)	6-1/4" (158mm)	9-5/16" X 6-7/16" (236.5mm X 163mm)	6-1/4" (158mm)	2-1/4" (56mm)
Diameter potongan dudukan	4-7/8" (123.4mm)	8-1/2" X 5-3/4" (214.6mm X 144.6mm)	3" (75.5mm)	3-11/16" (82.1mm)	4-1/2" (113.6mm)	5-9/16" X 3-3/8" (140.4mm X 85.1mm)	7-1/4" X 5" (182.6mm X 125.6mm)	4-1/2" (113.6mm)	4-7/8" (123.4mm)	8-1/2" X 5-3/4" (214.6mm X 144.6mm)	5" (127mm)	1-5/8" (40mm)
Kedalaman total	2-1/4" (56.4mm)	3-11/16" (82.7mm)	1-7/8" (47.6mm)	2-1/8" (52.6mm)	2-1/16" (52mm)	2" (50.7mm)	2-11/16" (67.3mm)	2-1/16" (52mm)	2-1/4" (56.4mm)	3-1/2" (88mm)	2-7/8" (69.7mm)	1-7/16" (36.1mm)
Kedalaman dudukan	1-13/16" (44.6mm)	3-1/8" (77.8mm)	1-7/16" (35.7mm)	1-7/8" (46.8mm)	1-13/16" (45mm)	1-3/4" (43.9mm)	2-5/16" (58.5mm)	1-13/16" (45mm)	1-13/16" (44.6mm)	3-1/8" (77.8mm)	2-1/16" (51.5mm)	13/16" (20mm)

SPECIFIKATIONER	CLUB 6520	CLUB 9630	CLUB 3020	CLUB 4020	CLUB 5020	CLUB 6420	CLUB 8620	CLUB 5000C	CLUB 6500C	CLUB 9600C	CLUB 6522	CLUB 750T
Type	6-1/2" (160 mm) koaksial bilhøjttaler	6" x 6" 3-vejs koaksial bilhøjttaler	3-1/2" (87 mm) koaksial bilhøjttaler	4" (100 mm) koaksial bilhøjttaler	5-1/4" (130 mm) koaksial bilhøjttaler	4" x 6" koaksial bilhøjttaler	6" x 6" koaksial bilhøjttaler	5-1/4" (130 mm) komponent højttalersystem	6-1/2" (160 mm) komponent højttalersystem	6" x 6" komponent højttalersystem	6-1/2" (160 mm) koaksial bilhøjttaler med 1/4" tweeter	3/4" (91 mm) komponent diskant
Kontinuierlig effektkåbering	50W	80W	20W	30W	40W							