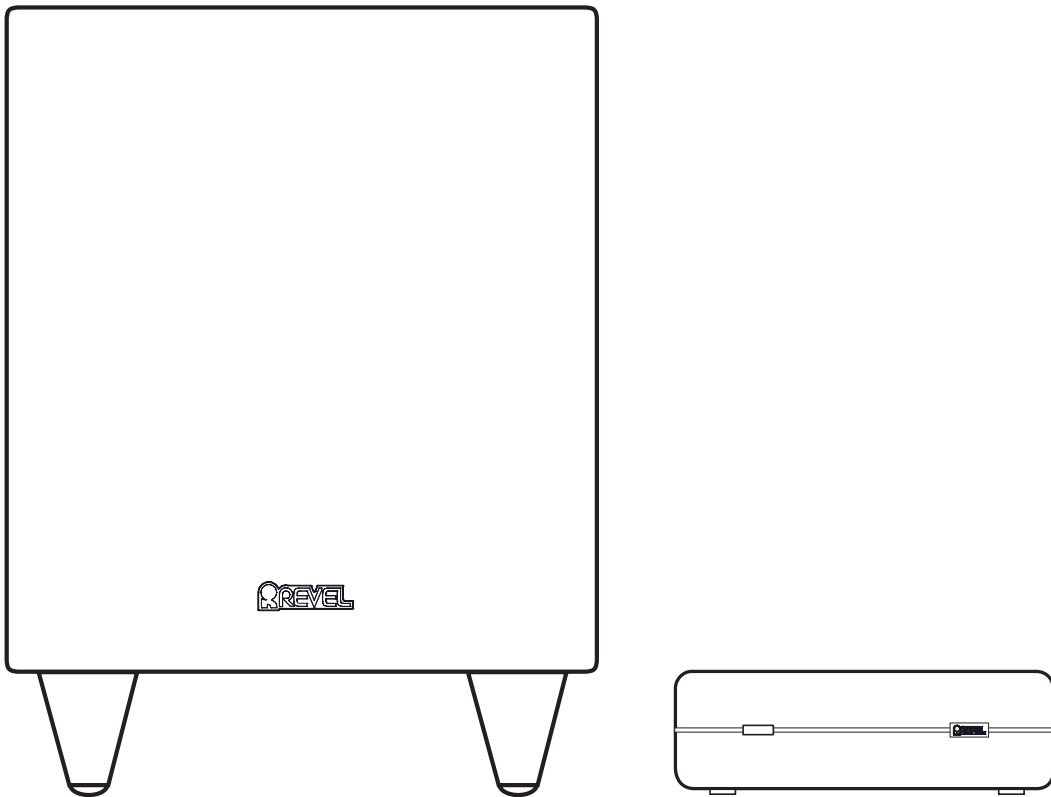



# REVEL®

## Revel B8 Wireless Subwoofer Owner's Manual



## IMPORTANT SAFETY INSTRUCTIONS

1. Read these instructions.
2. Keep these instructions.
3. Heed all warnings.
4. Follow all instructions.
5. Do not use this apparatus near water.
6. Clean only with a dry cloth.
7. Do not block any ventilation openings. Install in accordance with the manufacturer's instructions.
8. Do not install near any heat sources such as radiators, heat registers, stoves or other apparatus (including amplifiers) that produce heat.
9. Do not defeat the safety purpose of the polarized or grounding-type plug. A polarized plug has two blades with one wider than the other. A grounding-type plug has two blades and a third grounding prong. The wide blade or the third prong is provided for your safety. If the provided plug does not fit into your outlet, consult an electrician for replacement of the obsolete outlet.
10. Protect the power cord from being walked on or pinched, particularly at plugs, convenience receptacles and the point where they exit from the apparatus.
11. Only use attachments/accessories specified by the manufacturer.
12. Use only with the cart, stand, tripod, bracket or table specified by the manufacturer or sold with the apparatus. When a cart is used, use caution when moving the cart/apparatus combination to avoid injury from tip-over. 
13. Unplug this apparatus during lightning storms or when unused for long periods of time.
14. Refer all servicing to qualified service personnel. Servicing is required when the apparatus has been damaged in any way, such as power supply cord or plug is damaged, liquid has been spilled or objects have fallen into the apparatus, or the apparatus has been exposed to rain or moisture, does not operate normally or has been dropped.

15. Do not expose this apparatus to dripping or splashing and ensure that no objects filled with liquids, such as vases, are placed on the apparatus.
16. The mains plug is used as disconnect device, the disconnect device shall remain readily operable.
17. **WARNING:** Apparatus shall be connected to a MAINS socket outlet with a protective earthing connection.



The lightning flash with arrowhead symbol, within an equilateral triangle, is intended to alert the user to the presence of uninsulated "dangerous voltage" within the product's enclosure that may be of sufficient magnitude to constitute a risk of electric shock to persons.

**Warning: To reduce the risk of electric shock, do not remove cover (or back) as there are no user-serviceable parts inside. Refer servicing to qualified personnel.**



The exclamation point within an equilateral triangle is intended to alert the user to the presence of important operating and maintenance (servicing) instructions in the literature accompanying the product.

**WARNING:** To reduce the risk of fire or electric shock, do not expose this apparatus to rain or moisture. Operating Temperature 35°C.

## TABLE OF CONTENTS

About Revel®.....	2
Introduction .....	3
Subwoofer and Transmitter Controls.....	3
Placing The Subwoofer.....	4
Connecting The Subwoofer.....	5
Operating Your Subwoofer.....	6
Specifications.....	7

Congratulations and Thank You for purchasing your new Revel® B8 Wireless Subwoofer.

Please take the time to read the following installation and setup information in order to optimize the performance of your wireless subwoofer.

## ABOUT REVEL®

Since 1996, Revel® has stood at the forefront of loudspeaker design and performance. Backed by Harman International's world leading research and design facilities, Revel® loudspeakers benefit from cutting-edge resources such as:

- Multiple large anechoic chambers which allow for precise testing and measurements.
- A multi-channel listening lab for double-blind, position independent listening tests.
- A laser interferometer that enables detailed driver and cabinet analysis.
- Finite element analysis, utilized for advanced loudspeaker modeling.
- A stereo lithography apparatus, which rapidly "builds" tooled parts.

## INTRODUCTION

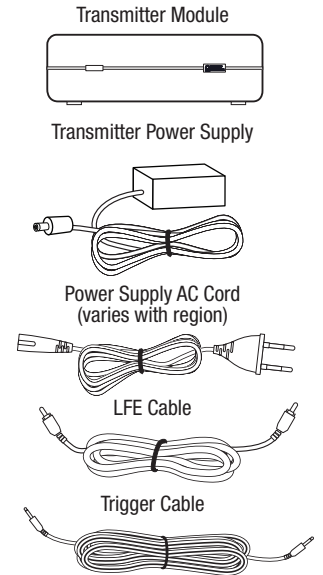
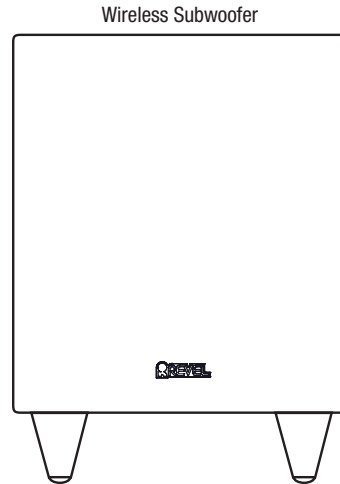
### THANK YOU FOR CHOOSING THIS REVEL PRODUCT!

Your new Revel B8 200-watt powered wireless subwoofer incorporates an 8" (200mm) down-firing cone transducer and a built-in, high-performance, 200-watt amplifier that delivers the powerful, dynamic and accurate low-frequency performance that makes your film soundtracks and music come alive. The subwoofer receives its audio signal from the transmitter module via wireless technology, so you can place it anywhere in your room without having to run an audio cable. And to maximize connection flexibility, the subwoofer also features wired connections.

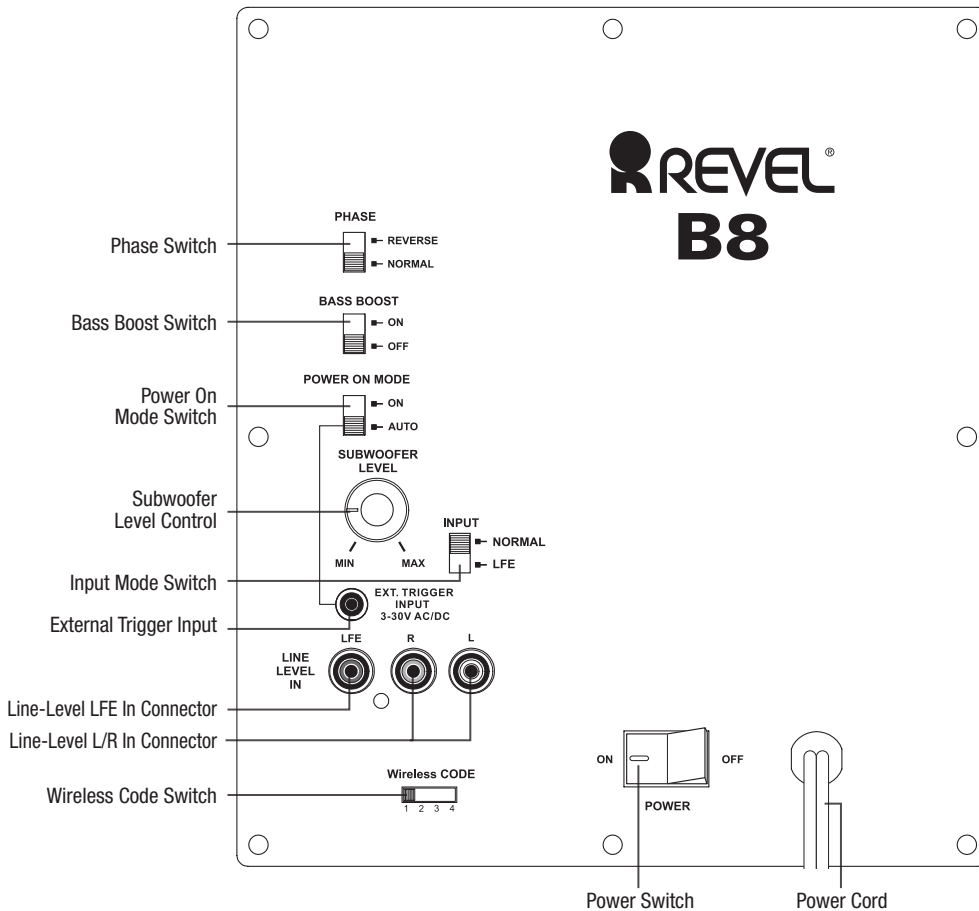
We're confident that this Revel subwoofer will provide every note of enjoyment that you expect – and that when you think about purchasing additional audio equipment, you will once again choose Revel products.

This owner's manual contains all the information you need to set up, connect and adjust your new subwoofer. For more in-depth information, go to our Web site: [www.revelspeakers.com](http://www.revelspeakers.com).

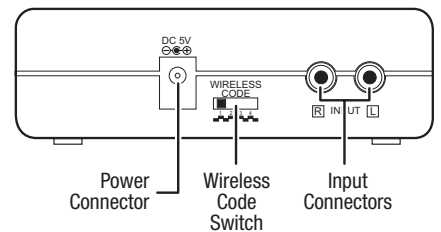
## INCLUDED ITEMS



## SUBWOOFER REAR-PANEL CONTROLS



## TRANSMITTER UNIT REAR-PANEL CONNECTIONS AND CONTROLS



## SUBWOOFER UNIT

**Phase switch:** This switch determines whether the subwoofer transducer's piston-like action moves in and out in phase with the satellite speakers. If the subwoofer were to play out of phase with the satellite speakers, the sound waves from the satellites could cancel out some of the subwoofer's sound waves, reducing bass performance and sonic impact. This phenomenon depends in part on the placement of all the speakers in the room. In most cases, the Phase switch should be left in the "Normal" position. However, it does no harm to experiment, and you can leave the Phase switch in the position that maximizes bass response and impact.

**Bass Boost switch:** Set this switch to "On" to enhance the subwoofer's low-frequency performance. Set this switch to "Off" for normal low-frequency performance.

**Power On Mode switch:** When this switch is set in the "Auto" position and when the Power switch is set to "On," the subwoofer will automatically turn itself on when it receives an audio signal and will enter the standby mode after it has received no audio signal for about 15 minutes. When this switch is set in the "On" position, the subwoofer will remain on whether or not it is receiving an audio signal. An LED on the subwoofer's top panel indicates whether the subwoofer is in the on or standby state:

- When the LED glows white, the subwoofer is turned on.
- When the LED is not illuminated, the subwoofer is in the standby mode. When the Power switch is set to "Off," the LED will not be illuminated, no matter what setting the Power On Mode switch is in.

**Subwoofer Level control:** Use this control to adjust the subwoofer's volume. Turn clockwise to increase the volume; turn counterclockwise to decrease the volume.

**Input Mode switch:** When this switch is in the "Normal" setting, the input signal from the Line-Level L/R In connectors is active. When this switch is in the "LFE" setting, the input signal from the Line-Level LFE In connector is active.

**External Trigger Input connector:** Use the mini plug of the supplied combination LFE and trigger cable to connect the External Trigger Input connector to the trigger output of another compatible component. Whenever the subwoofer detects a trigger signal between 3V and 30V (AC or DC), its amplifier will turn on. The amplifier will turn off after the trigger signal ceases, even when the Power On Mode switch is in the "Auto" position.

**Line-Level LFE In connector:** The signal from this connector bypasses the subwoofer's internal low-pass crossover. When you're connecting the subwoofer to the dedicated subwoofer output of a receiver/processor that has its own low-pass crossover network, use the Line-Level LFE In connector. You must also set the subwoofer's Input Mode switch in the "LFE" position.

**Line-Level L/R In connectors:** The signals from these connectors pass through the subwoofer's internal low-pass crossover. When you're connecting the subwoofer to the preamp or subwoofer outputs of a receiver/processor that does not have its own low-pass crossover network, use both Line-Level L/R In connectors. You must also set the Input Mode switch in the "Normal" position. If your receiver/processor has only one subwoofer output, you can use either the L or R connector.

**Wireless Code switch:** This switch selects between four different channels for the wireless subwoofer signal.

**IMPORTANT: Be sure to set the subwoofer's Wireless Code switch to the same channel that you set the transmitter module's Wireless Code switch. See Wireless Code Switches, on page 7, for more information.**

**Power switch:** Set this switch in the "On" position to turn the subwoofer on. The subwoofer will then be either on or in the standby mode, depending on the setting of the Power On Mode switch.

**Power Cord (non-detachable):** After you have made and verified all the connections described in this manual, plug this cord into an active, *unswitched* electrical outlet for proper operation of the subwoofer. DO NOT plug this cord into the accessory outlets found in some audio components.

## TRANSMITTER UNIT

**Power connector:** Plug the transmitter power supply into this connector and into a working AC outlet.

**Wireless Code switch:** This switch selects between four different channels for the wireless signal.

**IMPORTANT: Be sure to set the transmitter unit's Wireless Code switch to the same channel that you set the subwoofer's Wireless Code switch. See Wireless Code Settings, on page 7, for more information.**

**Input connectors:** Connect the supplied LFE cable from your receiver's or processor's subwoofer output to either of the transmitter unit's Input connectors.

## PLACING THE SUBWOOFER

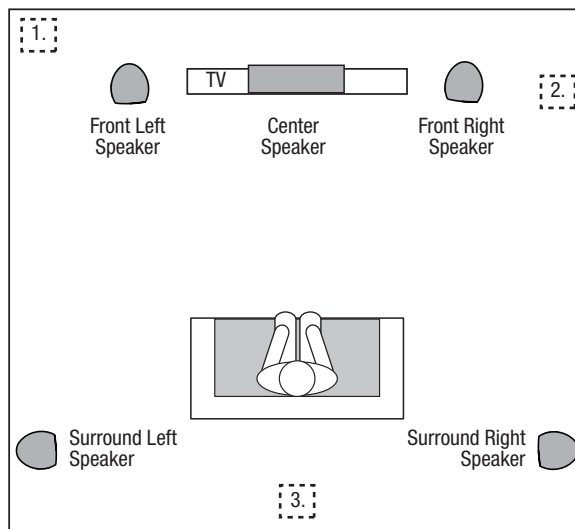
The performance of a subwoofer is directly related to its placement in the listening room and its physical position relative to the other speakers in the system.

While it is true that in general our ears do not hear directional sounds at the low frequencies where subwoofers operate, when installing a subwoofer within the limited confines of a room, the reflections, standing waves and absorptions generated within the room will strongly influence the performance of any subwoofer system. As a result, the specific location of the subwoofer in the room does become important to the amount and quality of bass that is produced.

For example, placing the subwoofer next to a wall generally will increase the amount of bass in the room; placing it in a corner (1) generally will maximize amount of bass in the room. However, corner placement can also increase the destructive effect of standing waves on bass performance. This effect can vary depending on the listening position – some listening positions may yield very good results while others may have far too much (or too little) bass at certain frequencies.

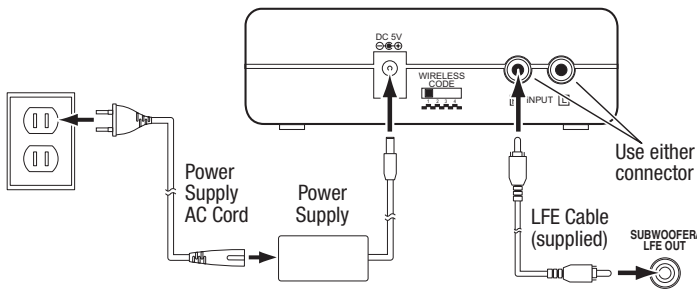
In many rooms, placing the subwoofer along the same plane as the left and right speakers (2) can produce the best integration between the sound of the subwoofer and that of the left and right speakers. In some rooms, the best performance could even result from placing the subwoofer behind the listening position (3).

We strongly recommend that you experiment with placement before choosing a final location for your subwoofer. One way you can determine the best location for the subwoofer is by temporarily placing it in the listening position and playing music with strong bass content. Move around to various locations in the room while the system is playing (putting your ears where the subwoofer would be placed), and listen until you find the location where the bass performance is best. Place the subwoofer in that location.



## CONNECTING THE SUBWOOFER

### WIRELESS:



1. Connect the supplied LFE cable from your receiver's or processor's subwoofer output to either of the transmitter unit's Input connectors.

If your receiver/processor does not have a dedicated subwoofer output but does have a set of preamp-level (volume-controlled) line outputs, use a stereo audio cable (not supplied) to connect them to both of the transmitter unit's Input connectors

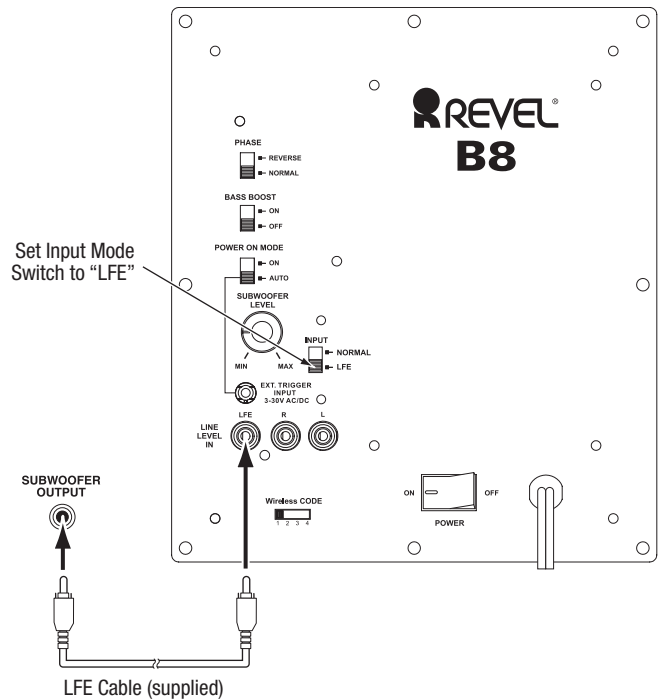
2. Connect the transmitter power supply to the Power connector, and into a working AC outlet,
3. Set the Wireless Code switches on the transmitter unit and subwoofer to the same position.

### WIRED:

As an alternative to wireless operation, you can connect the subwoofer conventionally, using the supplied audio cable.

**NOTE:** You can use both the wireless and the wired methods to connect the subwoofer to two different sources. However, if you play both sources at the same time the subwoofer will play bass from them both.

## CONNECTING THE SUBWOOFER TO A RECEIVER OR PREAMP/PROCESSOR WITH A DEDICATED SUBWOOFER OUTPUT

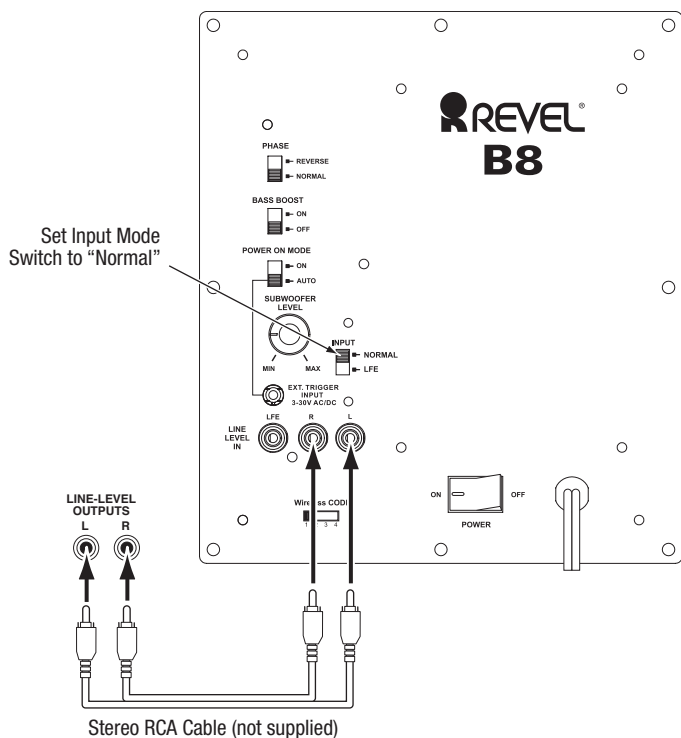


Use this installation method for receivers and preamps/processors that have a dedicated subwoofer output.

Use the supplied LFE cable to connect the subwoofer's Line-Level LFE In connector to the dedicated subwoofer output (or LFE output) of your audio/video receiver or preamp/processor. Set the subwoofer's Input Mode switch in the "LFE" position.

Configure your receiver or preamp/processor's setup menu for "Subwoofer On." After you have made and verified all connections, plug the subwoofer's AC Power Cord into a working AC outlet.

## CONNECTING THE SUBWOOFER TO A RECEIVER OR PREAMP/PROCESSOR WITH LINE OUTPUTS

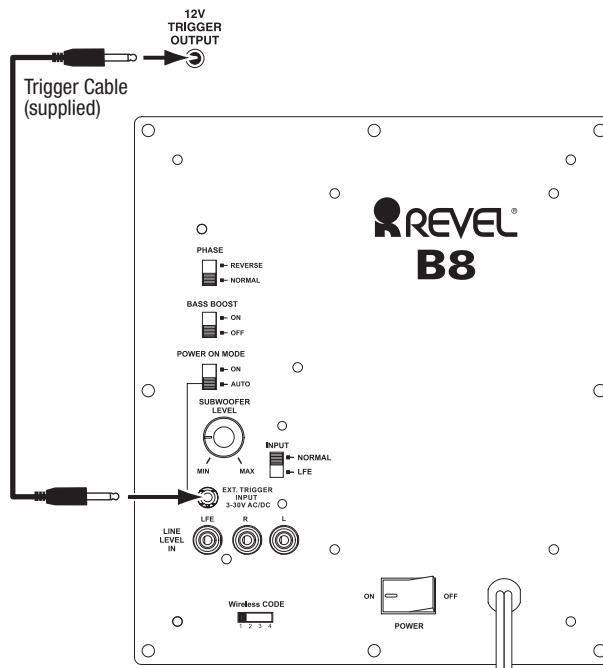


Use this installation method for receivers and preamp/processors that do not have a dedicated subwoofer output but do have preamp-level (volume-controlled) line outputs.

Connect one end of a stereo RCA cable (not supplied) to the receiver's or preamp's line outputs and the other end to the subwoofer's Line-Level L/R In connectors. Set the subwoofer's Input Mode switch in the "Normal" position.

After you have made and verified all connections, plug the subwoofer's AC Power Cord into a working AC outlet.

## CONNECTING THE SUBWOOFER TO A TRIGGER VOLTAGE SOURCE



The subwoofer will automatically turn on if it receives a trigger voltage at its External Trigger Input connector and will enter the Standby mode when the voltage ceases.

If your preamp/processor or another audio/video component has a trigger-voltage connection that supplies between 3V and 30V (AC or DC), connect it to the subwoofer's External Trigger Input connector. If the component's trigger-voltage connection has a 3.5mm mini jack, you can use the supplied Trigger cable to make the connection.

**NOTE:** Do not connect the subwoofer's External Trigger input connector to a remote control output (IR Out) of your home cinema system or surround receiver. Doing so could lead to malfunction.

## OPERATING YOUR SUBWOOFER

### TURNING THE SUBWOOFER ON AND OFF

Set the subwoofer's Power switch to the "On" position.

If you set the Power On Mode switch to "Auto," the subwoofer will automatically turn itself on when it receives an audio signal, and it will go into the standby mode after it has received no audio signal for 15 minutes. The subwoofer's LED will glow white when the subwoofer is on and will not be illuminated when the subwoofer is in the standby mode.

If you set the Power On Mode switch to "On," the subwoofer will remain on at all times. The subwoofer's LED will glow white.

If you connect the subwoofer's External Trigger Input connector to a trigger-voltage source, the subwoofer will turn on whenever a trigger voltage is present and will enter the standby mode after the trigger voltage ceases, regardless of the position of the Power On Mode switch.

If you will be away from home for an extended period of time, or if you will not be using the subwoofer for an extended period, switch the Power switch to the "Off" position.

## WIRELESS OPERATION

When the wireless transmitter receives an audio signal from the source, it will immediately turn on and the status LED will change to flashing green or solid green:

**Green (flashing):** Transmitter is on but has not established a link with the wireless subwoofer

**Green (solid):** Transmitter is on and has already established a link with the wireless subwoofer.

**Red:** Standby (no signal detected, transmitter off)

The transmitter will automatically enter the Standby mode after no audio signal is detected from the source for approximately 10 minutes.

## WIRELESS CODE SETTINGS

The Wireless Code selectors on the transmitter unit and subwoofer must be set to the same position for the system to function correctly.

In the unlikely event that there is interference when operating the system, or if you have more than one Revel B8 operating, you may change the channel at which the system operates. Set the Wireless Code selectors on one subwoofer's transmitter module and subwoofer to one of the other three positions.

You can also set up a maximum of two subwoofers to receive audio from the a single transmitter by setting the Wireless Code selectors on the transmitter and both of the subwoofers to the same position.

## SUBWOOFER ADJUSTMENTS: VOLUME

Use the Subwoofer Level Control to set the subwoofer's volume. Turn the knob clockwise to increase the subwoofer's volume; turn the knob counterclockwise to decrease the subwoofer's volume.

### Notes on Setting Subwoofer Volume:

Sometimes the ideal subwoofer volume setting for music is too loud for films, while the ideal setting for films is too quiet for music. When setting the subwoofer volume, listen to both music and films with strong bass content and find a "middle ground" volume level that works for both.

If your subwoofer always seems too loud or too quiet, you may want to place it in a different location. See *Placing the Subwoofer*, on page 4, for more information.

## SUBWOOFER ADJUSTMENTS: PHASE

The Phase switch determines whether the subwoofer's piston-like action moves in and out in phase with the satellite speakers. If the subwoofer were to play out of phase with the satellite speakers, the sound waves from the satellites could cancel out sound waves from the subwoofer, reducing bass performance and sonic impact. This phenomenon depends in part on the placement of all the speakers in the room.

Although in most cases the Phase switch should be left in the "Normal" position, there is no absolutely correct setting for the Phase switch. When the subwoofer is properly in phase with the satellite speakers, the audio will be clearer, have maximum impact and make percussive sounds like drums, piano and plucked strings sound more lifelike. The best way to set the Phase switch is to listen to music that you know well and set the switch in the position that gives drums and other percussive sounds maximum impact.

## SUBWOOFER ADJUSTMENTS: BASS BOOST

When set to the "On" position, the Bass Boost switch enhances low-frequency performance, resulting in bass with more impact, which you may prefer while watching movies or listening to music. There is no harm in experimenting with this control. Setting the switch to the "Off" position will return normal low-frequency performance to your system.

## SPECIFICATIONS

Low-frequency transducer:	8" (200mm) down-firing cone
Amplifier power:	200 watts (continuous), 400 watts (peak)
Frequency response:	45Hz – 200Hz (–6dB)
Controls:	Volume, phase, bass boost
Connections:	LFE (RCA-type); left and right line-level (RCA-type)
Enclosure type:	Sealed
External trigger input voltage:	3 – 30 volts, AC or DC
Subwoofer power requirement:	120V, 60Hz (USA); 220V – 240V, 50/60Hz (EU)
Subwoofer power consumption:	<0.5W (standby); 243W (maximum, 120V); 261W (maximum, 230V)
Subwoofer dimensions (H x W x D):	13-29/32" x 10-1/2" x 10-1/2" (353mm x 267mm x 267mm)
Subwoofer weight:	19.8 lb (9kg)
Transmitter power requirement:	100 – 240V AC, 50/60Hz
Transmitter power consumption:	<0.5W
Transmitter unit dimensions (H x W x D):	1-3/8" x 5" x 3-1/2" (35mm x 127mm x 89mm)
Transmitter unit weight:	0.26 lb (117g)
Frequency range	2403 – 2472MHZ
Max transmitting power	10dBm



## LIMITED WARRANTY

Revel loudspeakers are warranted against defects. The duration of a warranty depends on the laws in the country in which it was purchased. Your local Revel retailer can help you determine the duration and coverage of your warranty.

For more information please visit: [REVELSPEAKERS.COM](http://REVELSPEAKERS.COM)

Please visit [REVELSPEAKERS.COM](http://REVELSPEAKERS.COM) for additional language support on the user manual.

Veuillez visiter [REVELSPEAKERS.COM](http://REVELSPEAKERS.COM) pour obtenir le mode d'emploi en d'autres langues.

Para obter o manual do usuário em outros idiomas, acesse [REVELSPEAKERS.COM](http://REVELSPEAKERS.COM)

Ga naar [REVELSPEAKERS.COM](http://REVELSPEAKERS.COM) voor de handleiding in andere talen.

Gå til [REVELSPEAKERS.COM](http://REVELSPEAKERS.COM) for bruksanvisning på flere språk.

Если вам требуется дополнительные версии руководства пользователя на других языках, посетите сайт [REVELSPEAKERS.COM](http://REVELSPEAKERS.COM).

別の言語に対応したユーザーマニュアルを読むには、[REVELSPEAKERS.COM](http://REVELSPEAKERS.COM)にアクセスしてください。

사용자 설명서에 대한 추가 언어 지원은 [REVELSPEAKERS.COM](http://REVELSPEAKERS.COM)에서 확인하십시오

请访问 [REVELSPEAKERS.COM](http://REVELSPEAKERS.COM) 以获取其他语言版本的用户手册。

Visita [REVELSPEAKERS.COM](http://REVELSPEAKERS.COM) para obtener el manual de usuario de soporte en idiomas adicionales.

Weitere Sprachfassungen der Bedienungsanleitung findest Du unter [REVELSPEAKERS.COM](http://REVELSPEAKERS.COM).

Si prega di visitare [REVELSPEAKERS.COM](http://REVELSPEAKERS.COM) per i manuali di istruzioni in altre lingue.

Jos tarvitset ylimääräistä kieleen liittyvää tukea käyttöohjeesta, käy osoitteessa [REVELSPEAKERS.COM](http://REVELSPEAKERS.COM).

Gå ind på [REVELSPEAKERS.COM](http://REVELSPEAKERS.COM) for at se betjeningsvejledningen på flere sprog.

Gå till [REVELSPEAKERS.COM](http://REVELSPEAKERS.COM) för mer information om språk i användarmanualen.



Торговая марка:	Revel
Назначение товара:	Пассивная акустическая система
Изготовитель:	Харман Интернешнл Индастриз Инкорпорейтед, США, 06901 Коннектикут, г.Стамфорд, Атлантик Стрит 400, офис 1500
Страна происхождения:	Китай
Импортер в Россию:	ООО Внешторг-Юг, Россия, 171640, Тверская область, г.Кашин, ул. Карла Маркса, д.57А
Гарантийный период:	1 год
Информация о сервисных центрах:	<a href="http://absolut-audio.ru/Service/">http://absolut-audio.ru/Service/</a> тел. +7 (495) 995-10-80
Срок службы:	5 лет
Номер документа соответствия:	Товар не подлежит обязательной сертификации
Дата производства:	Дата изготовления устройства определяется по двум буквенным обозначениям из второй группы символов серийного номера изделия, следующих после разделительного знака «-». Кодировка соответствует порядку букв латинского алфавита, начиная с января 2010 года: 000000-MY0000000, где «M» - месяц производства (А - январь, В - февраль, С - март и т.д.) и «Y» - год производства (А - 2010, В - 2011, С - 2012 и т.д.).

### 产品中有害物质的名称及含量

部件名称	目标部件	有害物质或元素					
		铅(Pb)	汞(Hg)	镉(Cd)	六价铬(Cr(VI))	多溴联苯(PBB)	多溴二苯醚(PBDE)
电路板	印刷电路板, 电路板上的电子零件 (不包括特定电子零件), 内部相关连接线	X	0	0	0	0	0
箱体	外壳, 面板, 背板等	X	0	0	0	0	0
特定电子零部件	变压器, 保险丝, 大型电解电容, 电源插座	X	0	0	0	0	0
附件	电线, 说明书, 包装等	X	0	0	0	0	0

本表格依据SJ/T 11364的规定编制

- : 表示该有害物质在该部件所有均质材料中的含量均在GB/T 26572 规定的限量要求以下。  
 X : 表示该有害物质至少在该部件的某一均质材料中的含量超出GB/T 26572规定的限量要求。



在中华人民共和国境内销售的电子电气产品上将印有“环保使用期”(EPUP)符号。圆圈中的数字代表产品的正常环保使用年限。



HARMAN International, Incorporated  
 8500 Balboa Boulevard, Northridge, CA 91329 USA

© 2017 HARMAN International, Incorporated. All rights reserved.

Revel and the Revel logo are trademarks of HARMAN International Industries, Incorporated, registered in the United States and/or other countries.

Features, specifications and appearance are subject to change without notice.

For questions, assistance or additional information concerning any of our products, call us at: (516) 594-0300 or (888) 691-4171. For technical support, submit your detailed inquiry