



MS-52C



MS-62C

SPECIFICATIONS

	MS-52C	MS-62C
Nominal impedance:	4 ohms	4 ohms
Continuous average power handling:	80W	80W
Peak power handling:	320W	320W
Frequency response:	70Hz – 20kHz	60Hz – 20kHz
Sensitivity (2.83V/m):	88dB	89dB

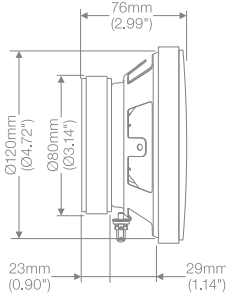
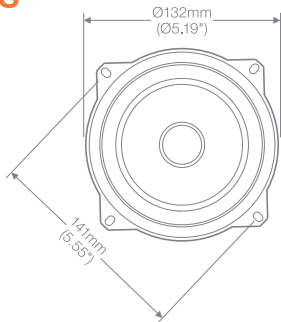
Warning: Playing loud music in an automobile can permanently damage your hearing as well as hinder your ability to hear traffic. We recommend listening at low levels while driving. We accept no liability for hearing loss, bodily injury or property damage resulting from use or misuse of this product.

General Care: The loudspeaker grilles may be cleaned with a damp cloth. Do not use cleaners or solvents of any kind on the grilles, speaker cones or tweeter domes.

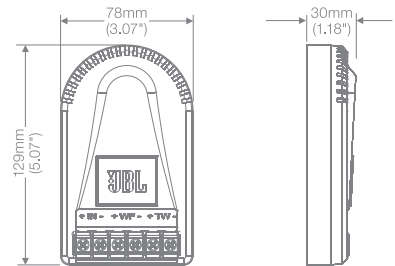
Warranty: MS speakers are warranted against defects. The duration of the speaker's warranty depends on the laws in the country where the speaker was purchased. Your local JBL car audio retailer can help you determine the length of your warranty. To register your product online, please visit www.JBL.com.

DIMENSIONS

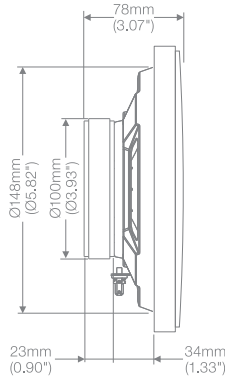
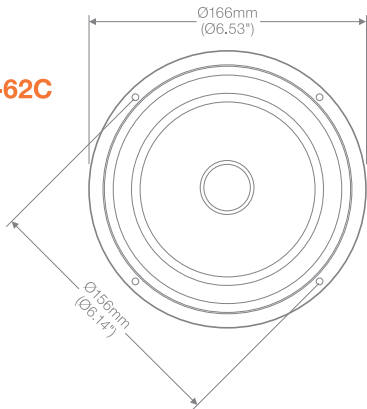
MS-52C



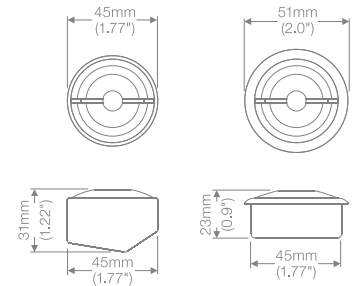
CROSSOVER



MS-62C



TWEETER



MS-52C & MS-62C

