



Declaration of Conformity

CE

We, Harman Consumer Group, Inc.  
 2, route de Tours  
 72500 Château du Loir  
 France  
 declare in own responsibility that the product described in this owner's manual is  
 compliance with technical standards:

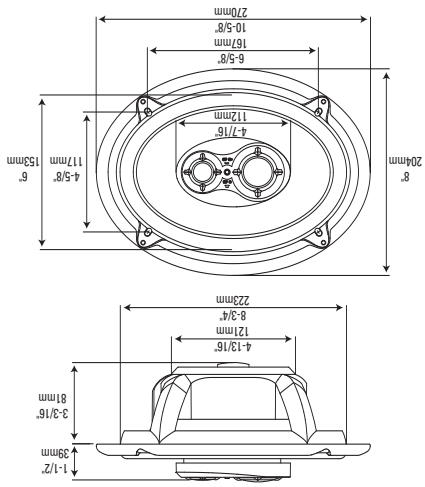
Klaus Leberer  
 Harman Consumer Group, Inc.  
 Château du Loir, France 6/08

EN 61000-6-3:2001  
 EN 61000-6-1:2001



© 2008 Harman International Industries, Incorporated. All rights reserved. Part No. T696LOM/08  
 Harman Consumer Group, Inc. • 250 Crossways Park Drive, Woodbury, NY 11797 USA • www.jbl.com  
 This product is designed for mobile applications and is not intended for connection to the mains.  
 Features, specifications and appearance are subject to change without notice.  
 A valid serial number is required for warranty coverage.  
 Designed and engineered in the USA.  
 H A Harman International Company  
 JBL is a trademark of Harman International Industries, Incorporated, registered in the United States  
 and/or other countries.

BL (T-m)	6.50	Fs (Hz)	49.4
DCR (ohms)	3.58	Qes	10.00
Mms (g)	26.00	Qms	0.64
Sd (sq cm)	237.0	Ct	89.4
Cms (µm/N)	400	1wSPL (dB)	92.9
Vas (l)	31.6	SPL 2.83V	92.9

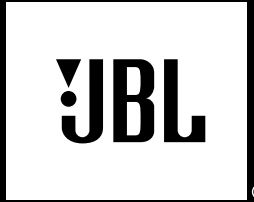


**WARRANTY**  
 The T696L is warranted against defects. The duration of the speaker's warranty depends on the laws in the country in which it was purchased. Your local JBL® car audio retailer can help you determine the length of your warranty. To register your product, please visit www.jbl.com.

The loudspeaker grilles may be cleaned with a damp cloth. Do not use any cleaners or solvents on the grilles or the speaker cones.

**SPECIFICATIONS**  
 Impedance: 4 Ohms  
 Power Handling, RMS: 150W  
 Power Handling, Peak: 600W  
 Frequency Response: 35Hz – 20kHz  
 Sensitivity (2.83V, 1m): 93dB

**T696 LIMITED**



high-output speaker system owner's manual

