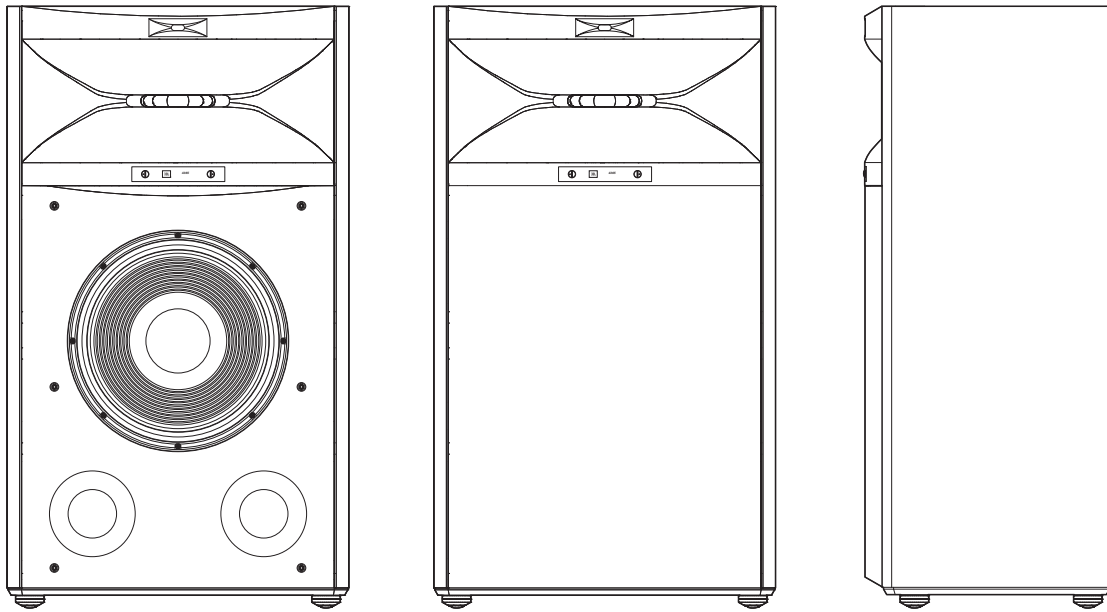




JBL[®] STUDIO MONITOR MODEL 4365

3-way loudspeaker



OWNER'S MANUAL

INTRODUCTION

THANK YOU for purchasing the JBL® studio monitor model 4365. The 4365 is a new member of the family of JBL large studio-monitor speakers that dates back to 1963 with the original model 4320 studio monitor. By incorporating technology first developed for the Project K2S9900 with new Bi-Radial® horns, the 4365 fuses innovation with JBL tradition. To get the best performance from your new studio monitor, please read these instructions thoroughly.

PACKAGE CONTENTS

EACH JBL 4365 BOX CONTAINS:

- One (1) JBL 4365 studio-monitor speaker
- Four (4) spiked foot inserts
- Four (4) metal coasters for use on tile, wood and linoleum floors

If you suspect that there has been shipping damage, report it immediately to your dealer. We recommend that you keep the box and packing materials for future use.

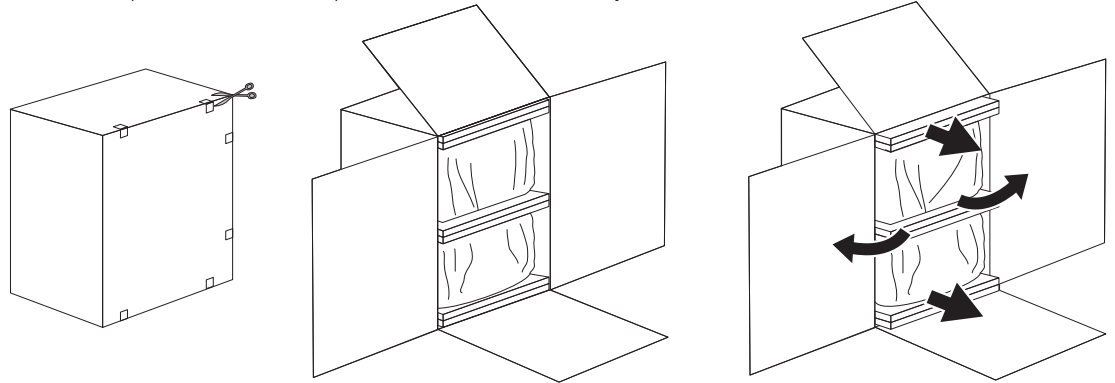
UNPACKING THE SPEAKER

CAUTION: The 4365 weighs 86.4kg (190 lb). To avoid personal injury or damage to floors or the speaker, we strongly recommend that at least two people unpack and move the speaker.

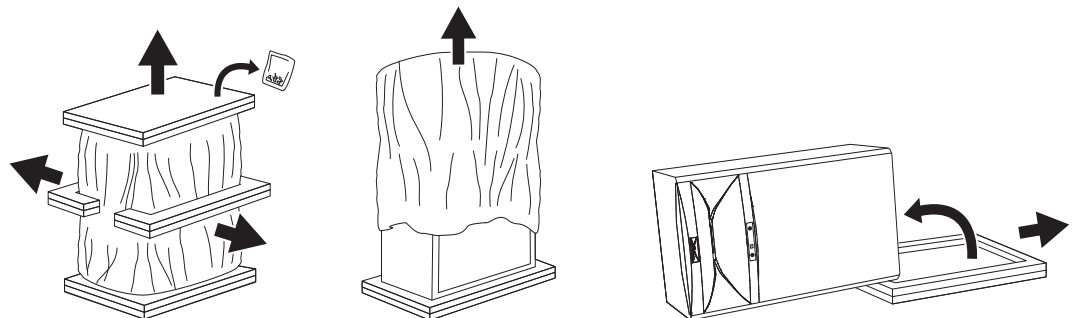
The speaker has rounded, stainless-steel feet installed on the bottom of its cabinet. To avoid damage to your floor, we strongly advise that you unpack the speaker on a well-protected surface, such as a thick carpet or a thick piece of cardboard.

TO UNPACK THE SPEAKER:

1. Carefully cut the tape on the carton's front flap. Note: Only three of the flap's four edges have tape.
2. Open the flaps and remove the side filler sleeves by pulling them straight out of the carton.
3. Stand on the box's lower flap and gently rock the speaker and its packing back and forth while pulling it out of the carton. In this way you can "walk" the speaker out of the carton. It helps to have a second person hold the carton steady from the back side.



4. Once the speaker is out of the carton, remove the upper and middle pads. The speaker's accessories are packed on the top end of the upper pad, so be careful not to discard them.
5. Remove the cloth bag covering the speaker.
6. With another person's help, carefully tilt the speaker on its side onto a thickly carpeted or well-padded surface and remove the bottom pad. Then tilt the speaker back up on its feet.

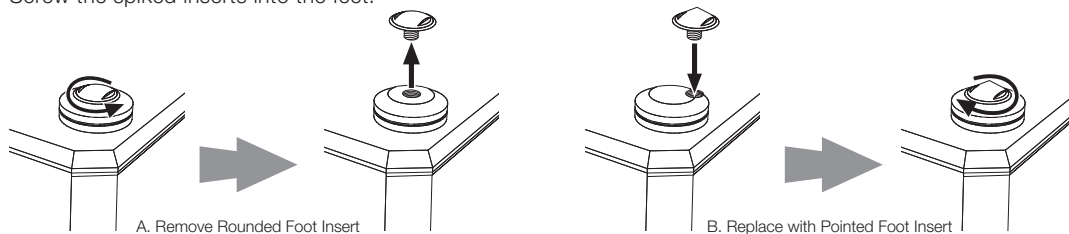


CHANGING THE SPEAKER'S FEET

The 4365 is shipped with rounded feet attached to the bottom of its cabinet.

TO CHANGE TO THE INCLUDED SPIKED INSERTS:

1. Turn the speaker upside down onto a thickly carpeted or well-padded surface.
2. Unscrew and remove the rounded inserts of the installed feet. If the inserts are difficult to loosen, use an 18mm (11/16-inch) wrench.
3. Screw the spiked inserts into the feet.

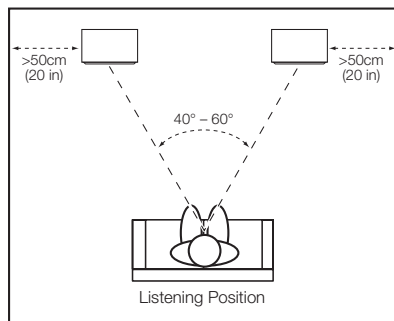


IMPORTANT: To prevent damage (scratches, indentations, etc.) to wood or linoleum floors due to the weight of these speakers, always use the included coasters. Be especially sure to use the coasters on tile surfaces to prevent cracking the tile.

PLACEMENT

Before deciding where to place your speakers, note that the floor at your selected location must be capable of supporting a load of 86.4kg (190 lb). Because the stainless-steel feet solidly couple the speaker to the floor, a flat, hard surface such as wood or linoleum is preferable. However, the coupling system, along with the speakers' substantial weight, should result in excellent performance on any surface, even carpeting.

To decide on a final location for your speakers, survey your room and think about placement using the illustration below as a guide.



For best results, place the speakers about two to three meters (about six to ten feet) apart. If you place the speakers farther apart, angle them toward the listening position.

The speakers will produce the most accurate stereo soundstage when the angle between the listener and the speakers is between 40 and 60 degrees.

Position each speaker so that its tweeter is approximately at ear level.

Generally, bass output will increase as the speaker is moved closer to a wall or corner. For best performance, we recommend that you place the speakers at least 50cm (about 20 inches) away from the side walls.

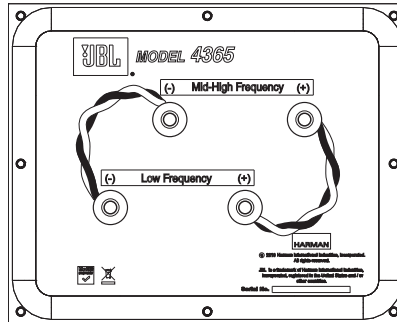
NOTES ABOUT SPEAKER PLACEMENT:

- To prevent damage (scratches, indentations, etc.) to wood or linoleum floors due to the weight of these speakers, always use the included coasters. Be especially sure to use the coasters on tile surfaces to prevent cracking the tile.
- Avoid placing the speakers near power amplifiers, heat registers or other objects that generate large amounts of heat.
- Do not place the speakers in very humid or dusty places.
- Do not place the speakers in direct sunlight or in places where they will be exposed to other strong light.
- The 4365 is not video-shielded and may distort or discolor the picture if placed close to some types of TVs.
- If the speakers do distort or discolor your TV's picture, move the speakers away from the TV until the distortion or discoloration disappears.

CONNECTIONS

CAUTION: Make sure that all of the system's electrical components are turned OFF (and preferably unplugged from their AC outlets) before making any connections.

Speakers and amplifiers have corresponding positive and negative (“+” and “-”) connection terminals. The 4365 has two sets of connection terminals; jumper wires connect the terminals to each other. The terminals are marked “+” and “-”. Additionally, the “+” terminals have red rings, while the “-” terminals have black rings. See the illustration below.



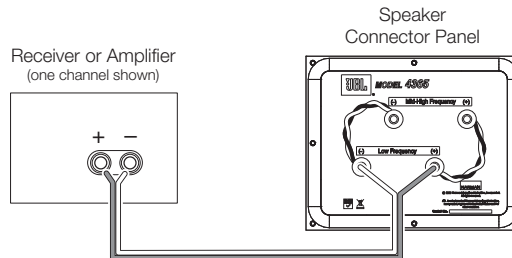
We have designed the 4365 so that a positive voltage at the “+” (red) terminal will cause the speaker transducers to move outward (toward the room).

We recommend using a high-quality speaker wire with polarity coding. The side of the wire with a ridge or other coding is usually considered positive polarity (“+”).

To ensure proper polarity, connect the left- and right-channel “+” terminals on the back of the amplifier or receiver to their respective “+” (red) terminals on the speakers. Connect the “-” (black) terminals in a similar way. See the owner's manual of your receiver or amplifier to confirm its connection procedures.

BASIC SINGLE-WIRE CONNECTION:

Connect the amplifier to each speaker as shown in the illustration below. You can use either set of terminals on the speaker. NOTE: Do not remove the jumper wires from between the two sets of terminals when connecting the speaker wires.

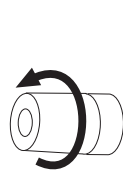


IMPORTANT: Do not reverse polarities (i.e., “+” to “-” or “-” to “+”) when making connections. Doing so will cause poor stereo imaging and diminished bass performance.

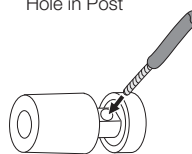
The 4365's gold-plated speaker terminals can accept a variety of wire-connector types: bare wire, spade connectors, pin connectors and banana connectors.

Using Bare Wire or Pin Connectors:

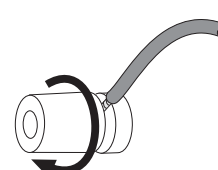
A. Unscrew Cap



B. Insert Bare Wire or Pin Connector through Hole in Post

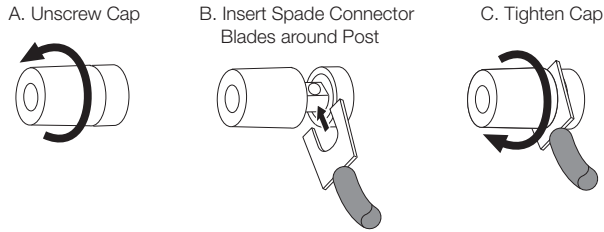


C. Tighten Cap to Secure Wire



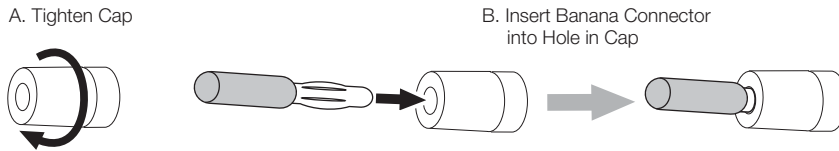
IMPORTANT: Make sure the (+) and (-) wires or pins do not touch each other or the other terminal. Touching wires can cause a short circuit that can damage your receiver or amplifier.

Using Spade Connectors:



IMPORTANT: Make sure the (+) and (-) spade connector blades do not touch each other or the other terminal. Touching blades can cause a short circuit that can damage your receiver or amplifier.

Using Banana Connectors:

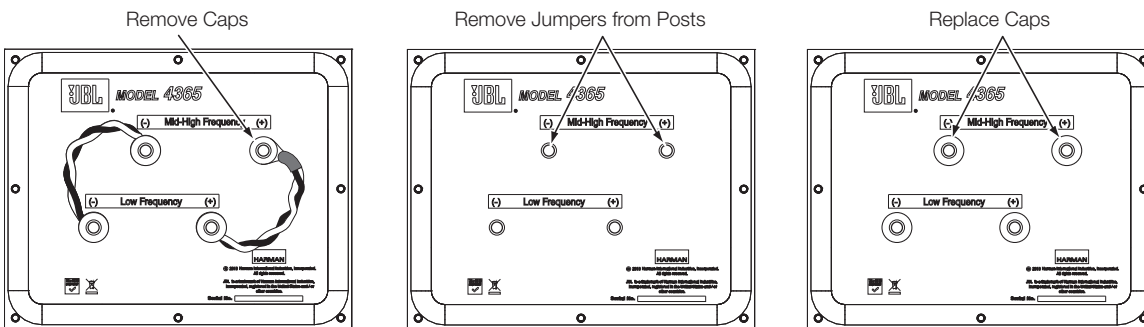


BI-WIRE CONNECTION:

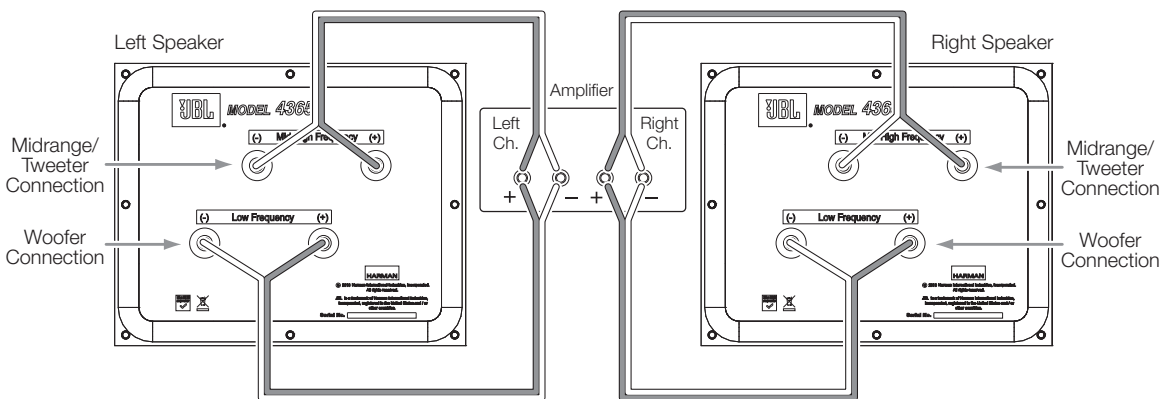
The 4365 connection assembly has two sets of input terminals that are connected by jumper wires. The upper set of terminals is for high-frequency/ultrahigh-frequency drivers, and the lower set of terminals is for the woofer.

This arrangement allows you to bi-wire the speakers using a single stereo power amplifier or two stereo power amplifiers. Bi-wiring can offer sonic advantages and more flexibility in power-amplifier selection over a conventional single-wire connection.

To bi-wire the 4365, first remove the terminal jumper wires as shown in the illustration.

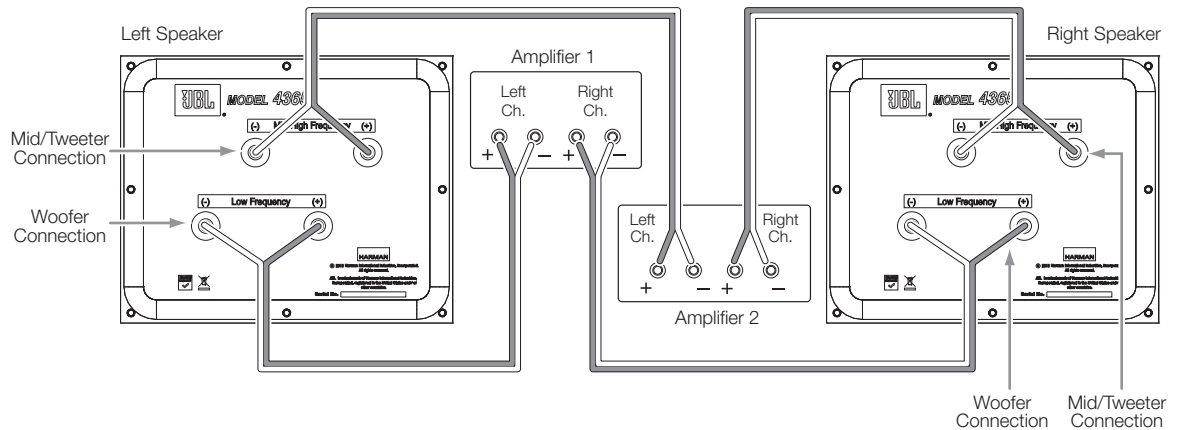


If you're bi-wiring with a single stereo power amplifier, connect the speakers according to the following illustration.



BI-WIRE CONNECTION (continued):

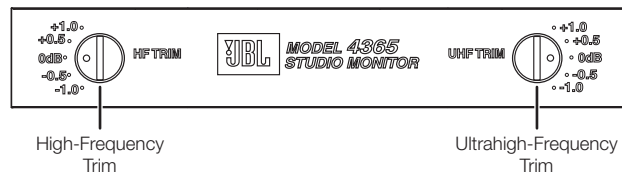
If you're bi-wiring with two stereo power amplifiers, connect the speakers according to the following illustration.



In either case, follow the instructions for the different connector types in Basic Single-Wire Connection, on page 4. NOTE: For more information about various speaker-wire and connection options, contact your local JBL dealer.

CONTROLS/ADJUSTMENTS

The 4365 has stepped front-panel adjustments that let you balance the high-frequency (HF) range and ultrahigh-frequency (UHF) range against the woofer.



You can use these controls to adjust the speaker's sound according to your room's acoustics or your personal taste. If you want to return the speakers to their factory-shipped response, set the controls to "0dB."

As with most speakers, the 4365 has transducers whose suspensions will take several weeks to "break in" and achieve optimum performance. During this period, the balance between the woofer, HF and UHF drivers may change, so we recommend that you adjust the HF and UHF controls accordingly.

CARING FOR YOUR SPEAKERS

- Wipe the cabinet with a clean, dry cloth to remove dust. A damp cloth may dull the cabinet's finish. Do not use volatile liquids such as benzene, paint thinner or alcohol on the cabinet.
- Do not spray insecticide near the cabinet.
- To remove dust from the grille fabric, use a vacuum cleaner set to low suction.
- Do not wash the grille in water, as water may fade the grille's color or make it uneven.
- If the surface of the woofer cone becomes dusty, you can carefully sweep it clean with a soft, dry calligraphy brush or paint brush. Do not use a damp cloth.

SPECIFICATIONS

JBL® studio monitor model 4365

Low-frequency transducer:	380mm (15") cone driver with Vented Gap Cooling™, a 100mm (4") voice coil and a three-layer sandwich cone (model 1501FE)
High-frequency transducer:	100mm (4") compression driver with magnesium-alloy diaphragm and 38mm (1-1/2") exit (model 476Mg)
Ultrahigh-frequency transducer:	25mm (1") compression driver with pure titanium diaphragm (model 045Ti-1)
Recommended amplifier power:	50W – 300W
Frequency response:	35Hz – 40kHz (–6dB, anechoic)
Nominal impedance:	8 ohms
Sensitivity:	93dB (2.83V/1m)
Crossover frequencies:	750Hz, 15kHz
Controls:	Switch attenuators for HF and UHF drivers
Enclosure type:	25mm (1")-thick MDF stock, dual-ported
Connector type:	Dual gold-plated five-way binding posts
Finish:	Walnut, with polyurethane
Grille color:	Monitor blue
Dimensions (H x W x D):	1048mm x 597mm x 429mm (41-1/4" x 23-1/2" x 16-7/8")
Weight:	86.4kg (190 lb)



HARMAN

Harman Consumer, Inc.
8500 Balboa Blvd., Northridge, CA 91329 USA

www.jbl.com

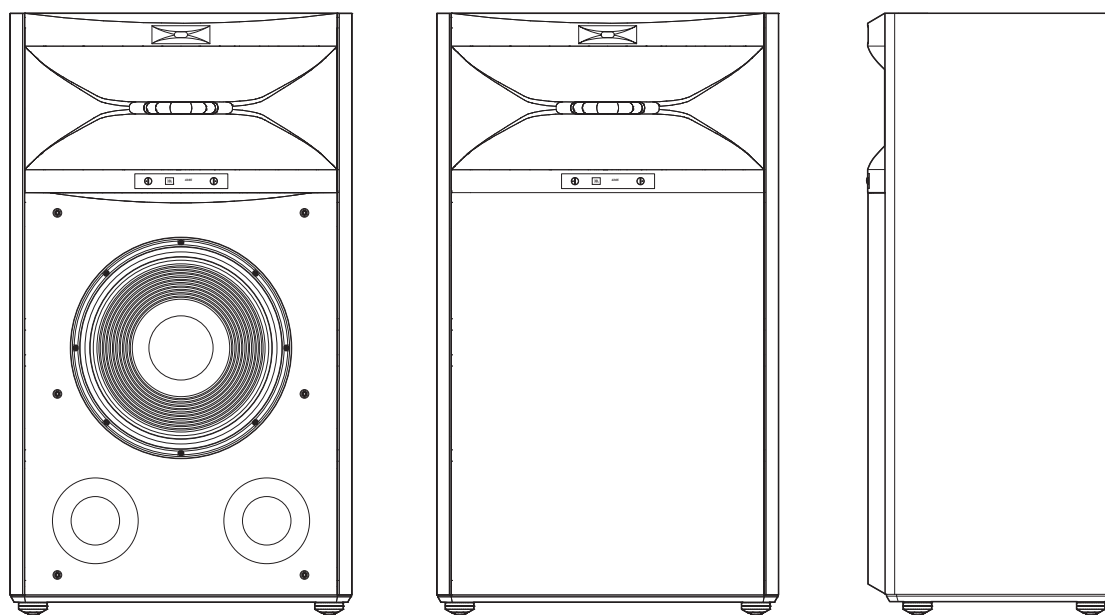
© 2010 Harman International Industries, Incorporated. All rights reserved.
JBL and Bi-Radial are trademarks of Harman International Industries, Incorporated, registered in the United States and/or other countries. Vented Gap Cooling is a trademark of Harman International Industries, Incorporated.

Features, specifications and appearance are subject to change without notice.

Part No. 443894-001

JBL[®] 4365 录音室监听音箱

三分频扬声器



产品介绍

感谢您购买JBL 4365录音室监听音箱。4365音箱是JBL大型录音室监听音箱家族的新成员。JBL大型录音室监听音箱的历史可追溯到1963年，最早的产品为4320监听音箱。4365监听音箱将创新与JBL传统融为一体，采用了最早为K2S9900音箱开发的技术和新型的Bi-Radial号角。要想让您的新录音室监听音箱发挥最佳性能，请仔细阅读使用说明。

包装内容

JBL 4365 音箱包装内包含以下物品

- 一（1）个 JBL 4365录音室监听音箱
- 四（4）个嵌入式脚钉
- 四（4）个金属脚垫，供地砖、木制和漆布地板上使用

如果您怀疑运输中造成了损坏，请立即向经销商反映。我们建议您保留箱子和包装材料供日后使用。

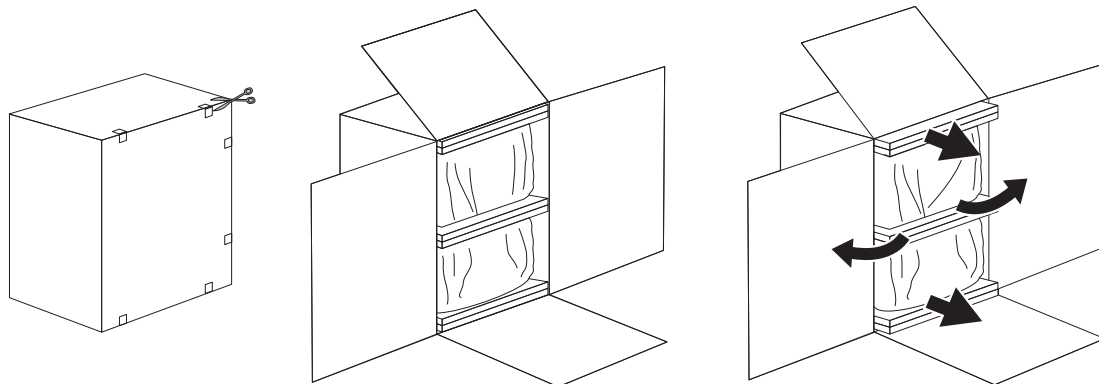
拆除包装

警告：4365音箱重量达86.4kg千克（190磅）。为避免个人伤害或损坏地板或音箱，我们强烈建议至少两个人来拆除包装和搬运音箱。

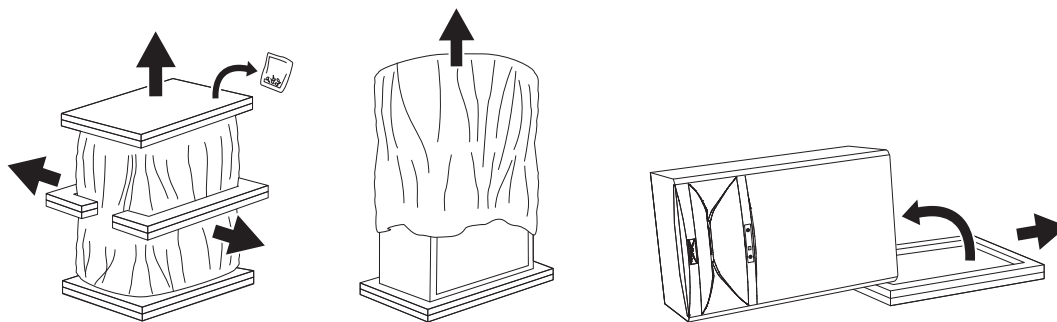
音箱底部装有圆形不锈钢脚。为避免损坏您的地板，我们强烈建议您在保护很好的表面（例如厚地毯或厚硬纸板）上拆除音箱的包装。

拆除包装步骤：

1. 小心将纸板箱前盖口上的胶带剪开。注意：前盖的四条边中只有三条有胶带。
2. 打开盖子，直接将边侧填充套从箱子中取出。
3. 使箱子的下折板靠在地板上，前后轻轻摇动音箱和包装，将音箱从纸板箱中拉出来。通过这种方式，您可以让音箱从纸板箱中“走出来”。最好有人从后面扶住纸板箱。



4. 一旦将音箱从纸板箱中移出来，请拿开上面和中间的衬垫。音箱的配件包装在上面的垫里，所以注意不要丢弃了。
5. 取下包裹音箱的布袋。
6. 在另一个人的帮助下，小心将一侧倾斜在铺有厚地毯或衬垫的地面上，拿开底部的衬垫。然后再将音箱扶起来。

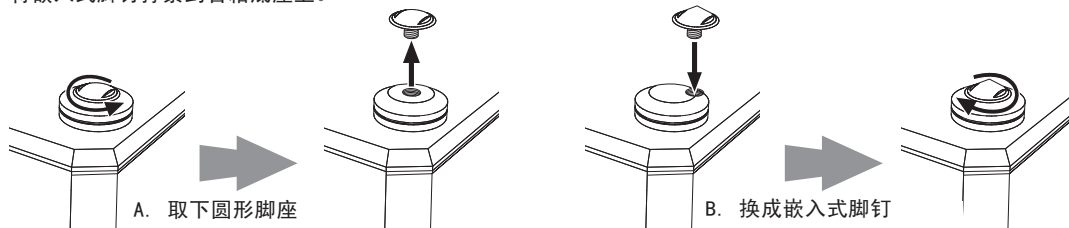


更换音箱脚垫

4365型音箱装运时在底部安装了圆形脚垫。

换为附配的嵌入式脚钉步骤

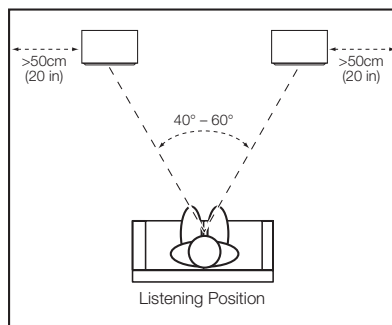
1. 在铺有厚地毯或衬垫的地面上将音箱上下倒置。
2. 拧松并取下已安装的圆形脚座。如果脚座很难拧松，请使用18毫米（11/16英寸）的扳手。
3. 将嵌入式脚钉拧紧到音箱底座上。



重要事项：为防止因音箱的重量对木质或漆布地板造成损坏（划痕、压痕等），请使用附配脚垫。特别注意在地砖表面上使用脚垫，以防止地砖受损开裂。

音箱放置

在决定将音箱放置在何处之前，请注意您选定的摆放地方的地板必须能够承载86.4千克（190磅）的重量。不锈钢音箱脚座会使音箱稳固地贴合在地面上，因此最好选择木制或漆布等扁平坚硬的面。当同时放置一对音箱时，因为音响本身的重量，所以不论放置在何种表面都能发挥其卓越的性能，即使是放置在地毯上。



为获得最佳效果，两个音箱应相距2至3米（约6至10英尺）。如果相隔更远，调整音箱与聆听位置的角度。

当聆听者与两个音箱之间形成40至60度的角度时，音箱将产生最精确的立体声声场。

将每个音箱放置在适当位置，使其高音单元的位置约与聆听者耳朵同高。

通常，随着扬声器与墙角距离的拉近，其低音输出将随着增加。为达到最佳性能，我们建议您将音箱放置在距墙至少50厘米（约20英寸）的位置。

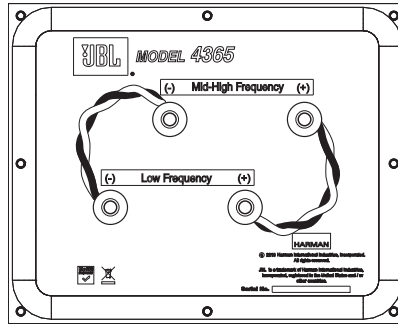
音箱放置注意事项：

- 为防止因音箱的重量对木质或漆布地板造成损坏（划痕、压痕等），请使用附配脚垫。特别注意在地砖表面上使用脚垫，以防止地砖受损开裂。
- 避免将音响放置在靠近功率放大器、电热器或其他产生大量热量的地方。
- 请勿将音箱放在过于潮湿或多灰尘的地方。
- 请勿将音箱直接暴露在阳光下，或者将其放置在靠近其他强光的地方。
- 4365音箱未配备视频屏蔽功能，若放置位置靠近某些型号的电视机，可能造成画面扭曲或色彩失真。
- 若音箱造成电视画面扭曲或色彩失真，将音箱移开至不会造成电视画面扭曲或色彩失真的位置。

连接

警告：进行连接前，务必关闭系统的所有电气部件（最好是拔掉交流电源插座）。

音箱和放大器有相应的正极和负极（“+”和“-”）连接端子。4365音箱有两组连接端子；用跳线连接各端子。端子标有“+”和“-”。此外，“+”端子有红环，而“-”端子有黑环。参见下面的插图。



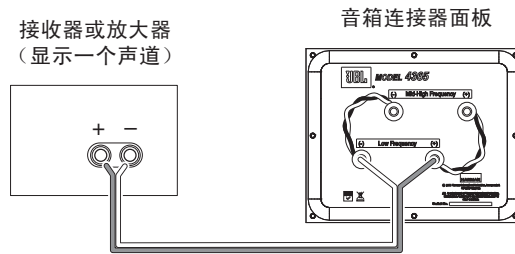
在4365音箱设计中，“+”（红）端子的正电压将促使音箱传感器向外（向房间方向）输出音频。

我们建议使用带极性编码的高质量音箱线。线的边缘带有脊线或其他编码的通常是正极（“+”）。

要确保极性正确，将放大器或接收器后面的左右声道“+”端子连接至音箱上各自的“+”（红）端子。用类似的方式连接“-”（黑）端子。参见接收器或放大器的用户手册确定连接程序。

基本单线连接：

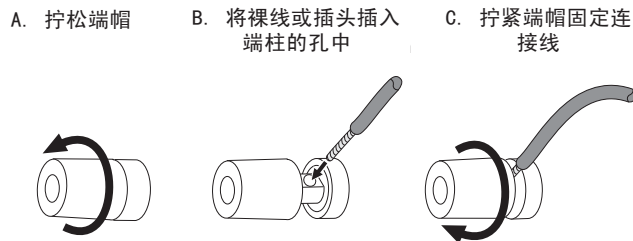
按下图所示将放大器连接至每个音箱。您可以使用音箱上的任一组端子。注意：在连接音箱线时，不要取下连接两组端子的跳线。



重要事项：进行连接时，不要颠倒极性（即连接“+”至“-”或“-”至“+”）。颠倒极性将造成立体声效果变差和低音性能降低。

4365型音箱的镀金音箱端子可以接受各种类型的线路连接器：裸线、叉形连接器、插头连接器和香蕉连接器。

使用裸线或插头连接器：



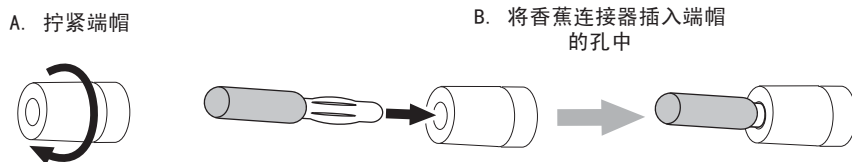
重要事项：确保（+）和（-）线或插头不会彼此接触或接触其他端子。线与线接触可能引起短路，损坏接收器或放大器

使用叉形连接器：



重要事项：确保 (+) 和 (-) 叉形连接器触片不会彼此接触或接触其他端子。触片相接触可能引起短路，损坏接收器或放大器。

使用香蕉连接器：

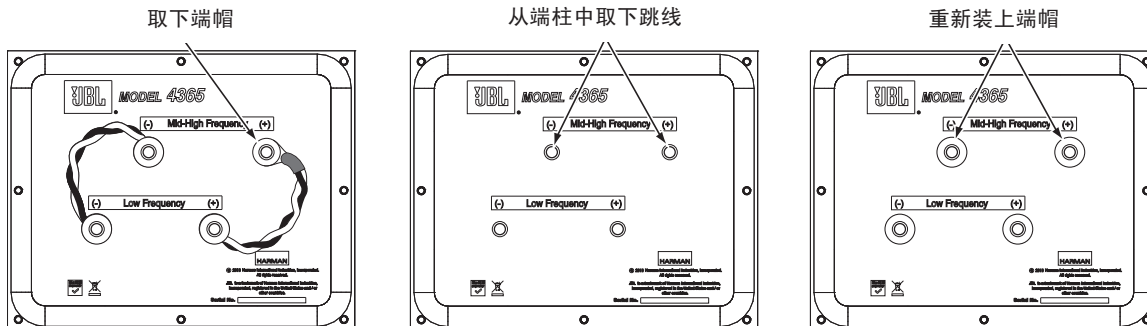


双线连接：

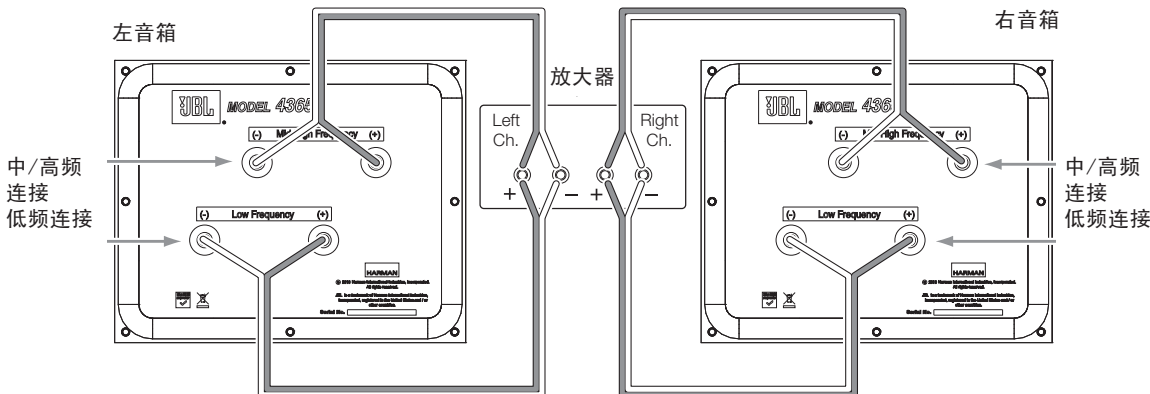
4365 音箱连接装配有两组由跳线连接的输入端子。上面的端子组用于高频/超高频驱动，下面的端子组用于低音驱动。

这种排列让您可以使用一个或两个立体声功率放大器双线连接音箱。与传统的单线连接相比，双线连接可以提供音波优势，在功率放大器选择方面具有更大的灵活性。

要对4365型音箱进行双线连接，首先按照下图所示取下端子跳线。

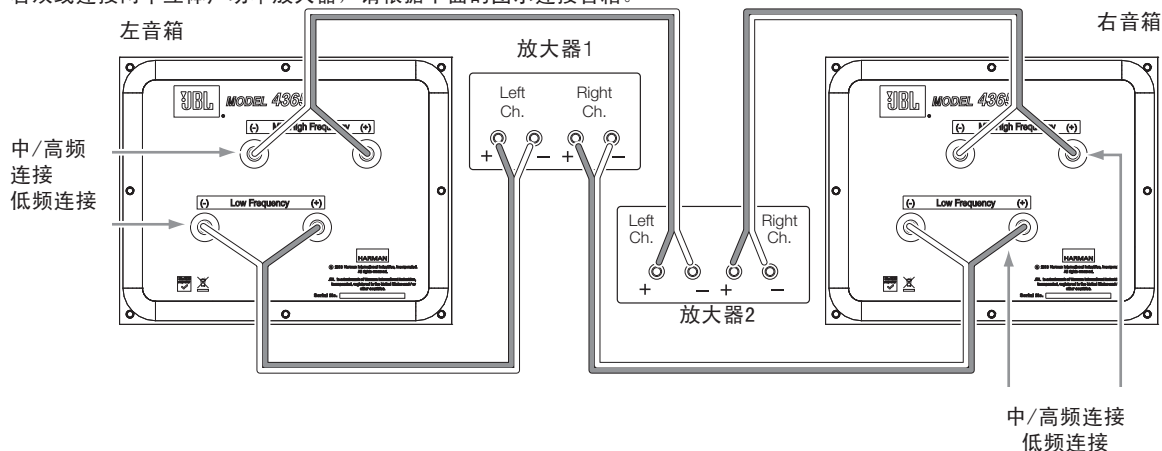


若双线连接一个立体声功率放大器，请根据下面的图示连接音箱。



双线连接（续）：

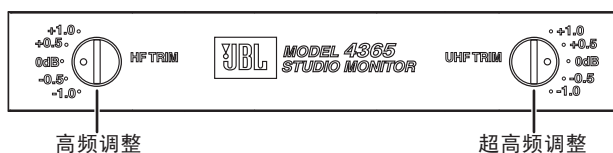
若双线连接两个立体声功率放大器，请根据下面的图示连接音箱。



其他类型连接器的连接请参照第12页上的“基本单线连接”的使用说明。
注意：垂询有关各种音箱线和连接选择的详情，请联系当地的 JBL 经销商。

控制装置/调整

4365 音箱的前面板上有高频 (HF) 范围和超高频 (UHF) 范围调整，您可以根据低音进行相应调整。



您可以使用这些控制装置根据你房间的音响效果或个人爱好来调整扬声器的声音。如果您想恢复出厂设置，请将控制装置设为“0分贝”。

与大多数音箱一样，4365 音箱的传感器需要几周时间的运作才能达到最佳效果。在此期间，低频、高频和超高频驱动之间的平衡可能发生变化，因此我们建议对高频和超高频控制进行相应调整。

音箱保养

- 用干净干布擦拭音箱表面的灰尘。使用湿布可能会损伤音箱表面的漆色。请勿在音箱表面使用苯、油漆喷释剂或酒精等挥发性的液体。
- 不要在音箱附近喷洒杀虫剂。
- 将真空吸尘器调至低吸力档清除网罩上的灰尘。
- 请勿将网罩放入水中清洗，这样可能会造成网罩褪色或颜色不均匀。
- 如果低音单元的纸盆和防尘帽上有灰尘，请使用柔软干燥的毛刷或画笔轻轻去除灰尘。请勿使用湿布。

产品规格

JBL® 4365 录音室监听音

低音单元:	380毫米 (15英寸) Vented Gap Cooling™ 驱动器单元, 一个100毫米 (4英寸) 的音圈和一个三层三明治结构的纸盆 (型号: 1501FE)
高音单元:	100毫米 (4英寸) 镁合金振膜压缩驱动器, 38毫米 (1-1/2英寸) 输出出口 (型号: 476Mg)
超高音单元:	25毫米 (1英寸) 纯钛振膜压缩驱动器 (型号: 045Ti-1)
建议放大器功率:	50瓦至300瓦
频率响应:	35赫兹至40千赫兹 (-6分贝, 无回声)
额定阻抗:	8欧
灵敏度:	93分贝 (2.83伏/1米)
分频点:	750赫兹, 15千赫兹
控制:	高频和超高频驱动器开关衰减器
箱体类型:	25毫米 (1英寸) 中密度纤维板, 双端口
连接器类型:	双镀金5路结合柱
磨光:	胡桃木, 聚氨酯材料
网罩颜色:	蓝色
尺寸 (高 x 宽 x 深):	1048毫米 x 597毫米 x 429毫米 (41-1/4英寸 x 23-1/2英寸 x 16-7/8英寸)
重量:	86.4千克 (190磅)



HARMAN

Harman Consumer, Inc.
8500 Balboa Blvd., Northridge, CA 91329 USA

www.jbl.com

© 2010 Harman International Industries, Incorporated. 保留所有权利。
JBL and Bi-Radial 是 Harman International Industries, Incorporated 在美国和/或
其它国家注册的商标。
Vented Gap Cooling 是 Harman International Industries, Incorporated 的商标。

功能、规格和外观可能会发生变化, 恕不另行通知。

零件编号 443894-001