

### Professional Series

### Key Features:

- ▶ JBL white Duraflex™ finish
- ▶ Integral rigging hardware for simple connection of VRX915S line-arrays and optional array frame.
- ▶ 15 inch, 2265G-1 Differential Drive® woofer for extended low-frequency output
- ▶ Light and compact for versatility and easy handleability.

### Applications:

- ▶ Auditorium installations
- ▶ Houses of Worship installations
- ▶ Theater and nightclub installations

The VRX915S-WH is a compact, high power suspendable subwoofer system containing a 2265G-1 neodymium magnet, patented Differential Drive®, 15" woofer in a front-loaded, vented enclosure. The VRX915S-WH was designed specifically for use in arrays with the VRX928LA-WH Line Array speaker and VRX-SMAF Array Frame. In addition it may also be used in arrays consisting entirely of VRX915S-WH subwoofers.

The system offers complete input connection flexibility for compatibility with a variety of cabling schemes. A recessed, external switch allows selection of either contacts +1/-1 or +2/-2 to be routed to the woofer.

The white Duraflex™ finish makes it appropriate for many houses-of-worship, auditoriums or theaters where the existing décor demands an alternative to a black loudspeaker system. The VRX915S-WH is optimized for permanent installation with no handles or pole mounts attached.

The enclosure is constructed of top quality birch plywood, coated in JBL's rugged DuraFlex™ finish and is heavily braced to maximize low-frequency performance. The attractive CNC-machined, 16-gauge steel grille is internally lined with acoustically transparent foam to provide additional driver protection and give a very professional appearance.

The VRX915S-WH is manufactured and sold under U.S. patents 5,748,760 and 6,847,726.



Shown with VRX928LA-WH and optional VRX-SMAF Array Frame



### Specifications:

System Type:	15" bass reflex subwoofer
Frequency Range (-10 dB):	35 Hz - 250 Hz
Frequency Response (±3 dB):	40 Hz - 250 Hz
Recommended Hi-Pass Filter:	High-pass: Butterworth 24 dB/oct, 45 Hz Low-pass: Linkwitz-Riley 48 dB/oct, 80 - 120 Hz
Power Rating <sup>1</sup> : (Continuous / Program / Peak)	800 W / 1600 W / 3200 W
Maximum Peak SPL <sup>2</sup> :	126 dB SPL
Sensitivity (1w @ 1m):	91 dB SPL
LF Driver:	1 x JBL 2265G-1, 380 mm (15 in) Differential Drive® woofer
Nominal Impedance:	4 Ohms
Active Tunings:	Tunings available at <a href="http://www.jblpro.com">www.jblpro.com</a>
Enclosure:	15 mm - 18 mm, multi ply birch plywood
Suspension / Mounting:	Integrated flying hardware for use with array frame VRX-SMAF or optional M10 eyebolt kit #229-00009-01.
Finish:	White DuraFlex™ finish
Grille:	Powder coated, white, 16 gauge perforated steel with acoustically transparent white foam backing.
Input Connectors:	Neutrik® Speakon NL-4 (x2)
Input connection modes:	Switchable, +1/-1 or +2/-2
Dimensions (H x W x D):	496 mm x 418 mm x 597 mm (19.5 in x 16.5 in x 23.5 in)
Net Weight:	26 kg (57 lb)

<sup>1</sup>IEC filtered noise with 6 dB crest factor, 2 hours.  
<sup>2</sup>Calculated, based on power rating and sensitivity.

JBL continually engages in research related to product improvement. Some materials, production methods and design refinements are introduced into existing products without notice as a routine expression of that philosophy. For this reason, any current JBL product may differ in some respect from its published description, but will always equal or exceed the original design specifications unless otherwise stated.

# ► VRX915S-WH 15" Bass Reflex Subwoofer

## Block Diagram

Serial No. \_\_\_\_\_

JBL PROFESSIONAL  
Northridge, CA USA  
Made in USA

VRX915S-WH

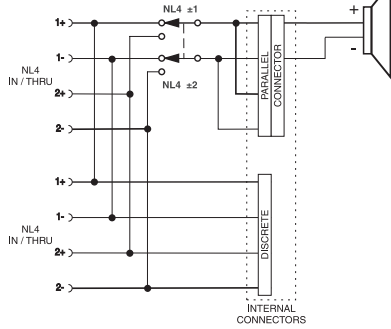
4 Ohms IN / THRU

WARNING: Do not attempt to suspend unless you have read and fully understood all instructions. Follow all applicable local ordinances. Attachment of the loudspeaker to supporting structure should be referred to a qualified professional.

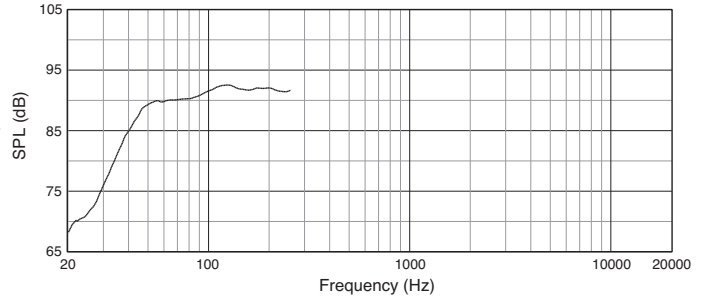
NL4 ±1

NL4 ±2

**JBL** VRX900  
Equipped with Differential Drive Transducer Technology  
U.S. PATENTS 5,142,760 and 5,647,729

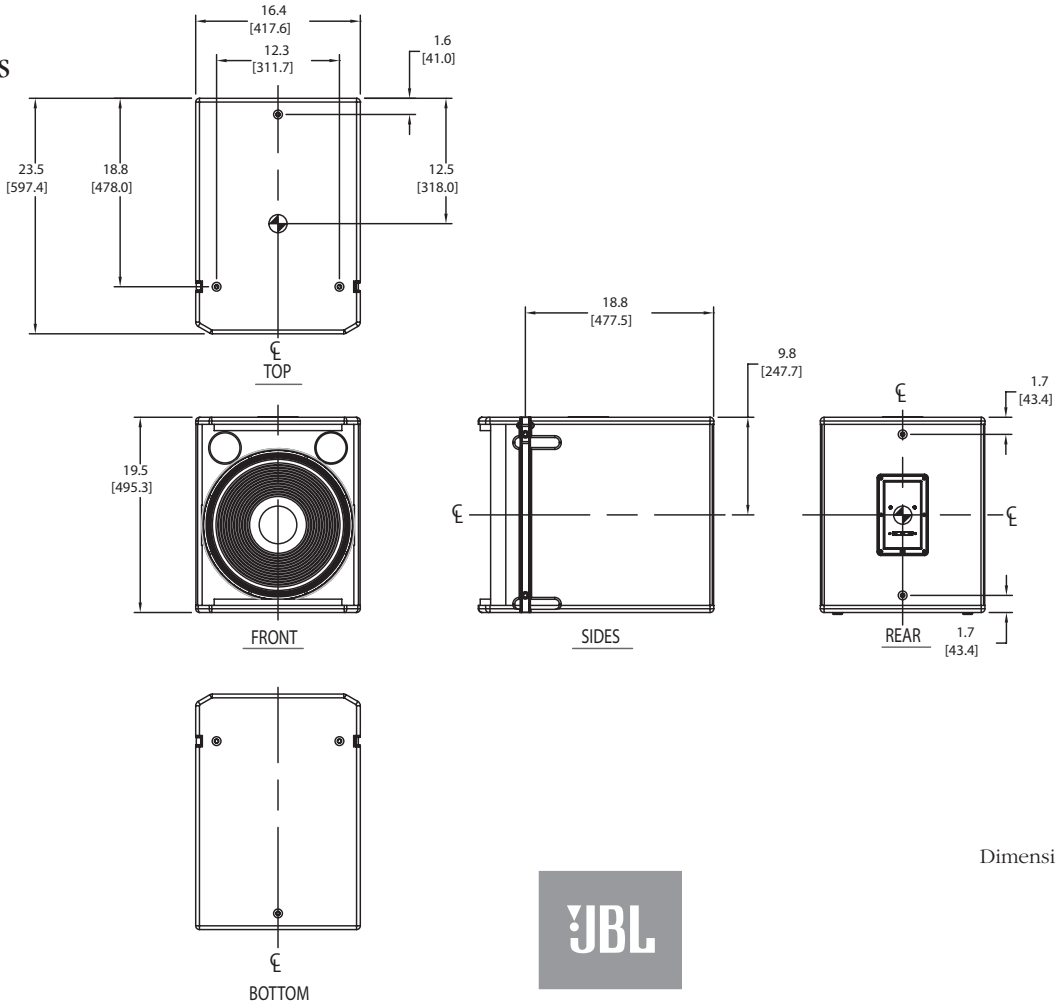


## Frequency Response



Shown with optional EQ 45Hz, +2.5 dB, Beu, Q:2.5

## Dimensions



Dimensions in mm (in)



JBL Professional  
8500 Balboa Boulevard, P.O. Box 2200  
Northridge, California 91329 U.S.A.

© A Harman International Company  
© Copyright 2008 JBL Professional  
[www.jblpro.com](http://www.jblpro.com)

SS VRX915S-WH  
CRP 5M  
09/08