



INFINITY REFERENCE SPEAKERS

Owner's Manual

R152

R162

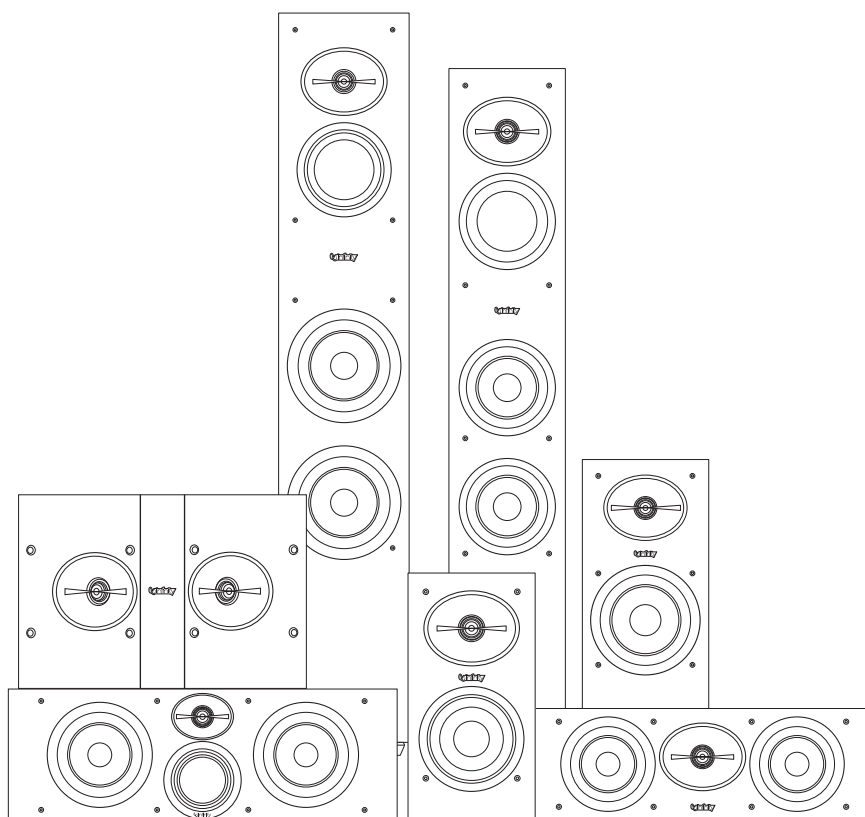
R253

R263

RC252

RC263

RS152



INFINITY REFERENCE SERIES

The Reference series of loudspeakers continues the longstanding Infinity commitment to accurate sound reproduction. Our proprietary CMMD® (Ceramic Metal Matrix Diaphragm) drivers, precision dividing networks and rigid, well-braced enclosures combine to deliver uncompromised performance in any stereo or multichannel home theater system.

UNPACKING THE SPEAKERS

If you suspect damage from transit, report it immediately to your dealer. Keep the shipping carton and packing materials for future use.

PLACEMENT

Stereo

Before deciding where to place your Reference speakers, survey your room and think about placement, using Figure 1 as a guide and keeping the following points in mind:

- For best results, place the speakers 6 to 8 feet (1.8 to 2.4 meters) apart. Angle each speaker toward the listening position.
- Position each speaker so that the tweeter is approximately at ear level.
- Generally, bass output will increase as the speaker is moved closer to a wall or corner.
- Refer to the “Home Theater” section on this page if you plan to use the speakers for home theater reproduction.

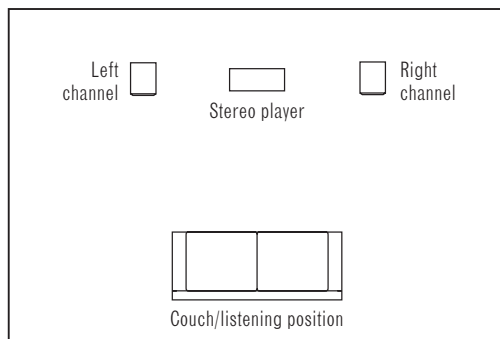


Figure 1. This overhead view shows a typical stereo-speaker plan. Experiment with speaker placement to obtain the best bass level and stereo imaging in your room.

Home Theater

For front-channel use, place one speaker on the left and another on the right of the television monitor. Angle your front speakers toward the listening position.

For surround-sound use, place the speakers alongside the listening position. Final placement depends on room acoustics, availability of space and your listening preference (Figures 2 and 3).

Place the center-channel speaker on top of or directly below the television. Aim it toward the listening area.

NOTE: An Infinity powered subwoofer will add impact and realism to both music and film soundtracks. Contact your Infinity dealer for recommendations on subwoofer models.

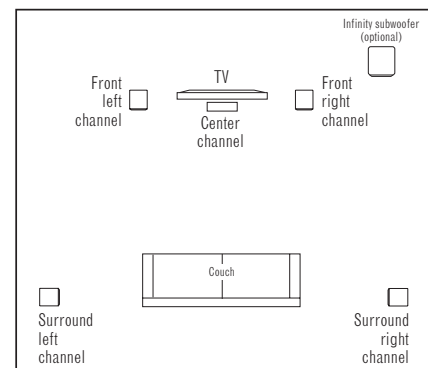


Figure 2. This overhead view shows a typical home theater plan.

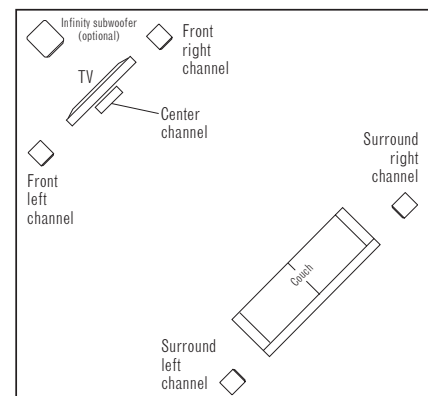


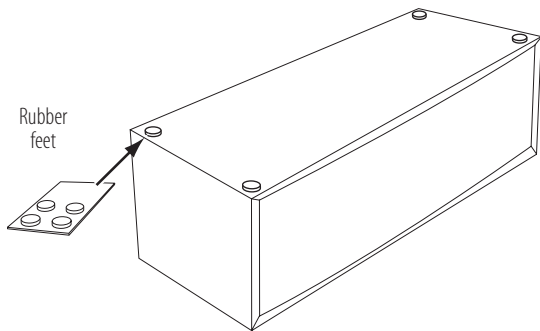
Figure 3. This figure shows an alternate layout, which may be more suitable for some rooms.

CARPET SPIKES – R253 AND R263

Use the included carpet spikes for stability if you are placing your tower speakers on a thick rug or plush carpeting. The carpet spikes can be manually screwed into each rubber foot on the base of the speaker.

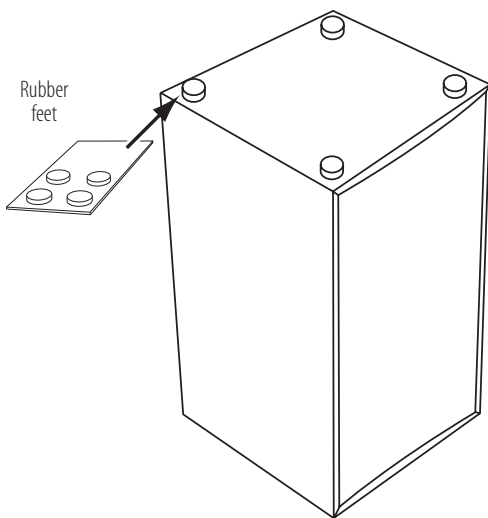
RUBBER FEET – RC252 AND RC263

Peel the adhesive rubber feet from the included card and apply them to the bottom of the center channel speaker.



RUBBER FEET – R152 AND R162

Peel the adhesive rubber feet from the included card and apply them to the bottom of the bookshelf speakers.



CAUTION: Floorstanding (tower) loudspeakers have a high center of gravity and may become unstable and tip over during earthquakes or if they are rocked, tipped or improperly positioned. Consider anchoring these speakers to the wall behind them, using the procedures and hardware customary for anchoring bookcases and wall units. You are responsible for proper installation and proper selection of hardware.

WALL-MOUNTING THE RS152

We have designed the RS152 speakers to mount directly onto a wall. Each speaker has two keyholes on the back and will require two 1-1/2" (38mm), #10 wood screws fastened to a wall stud. If a wall stud is unavailable, install an anchor appropriate for a 1-1/2", #10 screw.

NOTE: You are responsible for the correct selection and use of mounting hardware (available through hardware stores) that will ensure the proper and safe wall-mounting of the speakers.

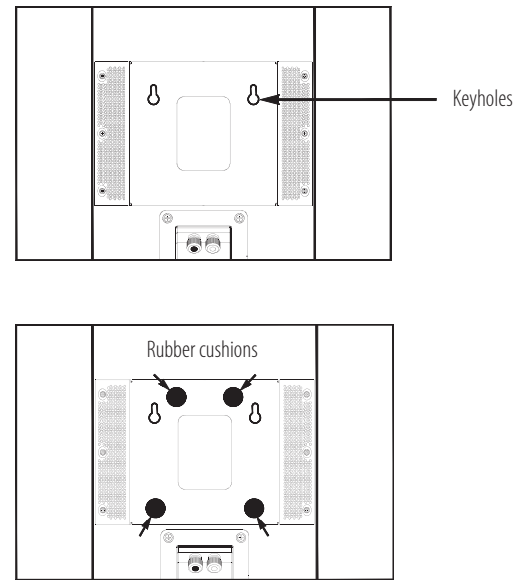


Figure 4. RS152 keyhole location and rubber cushion placement.

Step 1.

Using the included wall template, mark the positions on the wall where you would like to place the mounting screws.

Step 2.

Fasten two 1-1/2", #10 wood screws to the wall using the markings from Step 1 as your guide. Leave an 1/16" (1.59mm) space between the wall and screwhead. If a wall stud is not available, use an appropriate anchor.

Step 3.

To protect wall, attach 4 rubber cushions (included) in suggested locations.

Step 4.

Place the speaker on the wall by aligning the keyholes on the back of the speaker to the screwheads on the wall. Once positioned properly, the speaker should slide down slightly and become secure.

WIRING THE SYSTEM

IMPORTANT: Make sure that all equipment is turned off before making any connections.

For speaker connections, use a minimum #16-gauge speaker wire with polarity coding. The side of the wire with a ridge or other coding is usually considered positive polarity (i.e., +).

NOTE: If you are unsure about the proper wire to use, consult your local Infinity dealer about speaker wire and connection options.

The speakers have coded terminals that accept a variety of wire connectors. Figure 5 shows the most common connection.

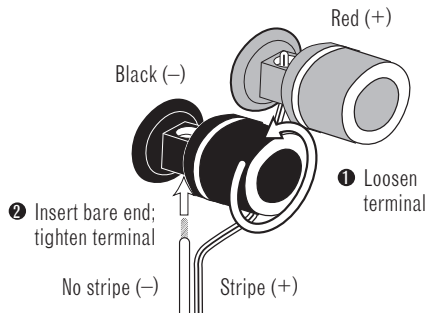


Figure 5. This example shows how to connect bare wires to the terminals.

To ensure proper polarity, connect each + terminal on the back of the amplifier or receiver to the respective + (red) terminal on each speaker, as shown in Figure 6. Connect the – (black) terminals in a similar way. See the owner’s guides that were included with your amplifier, receiver and television to confirm connection procedures.

IMPORTANT: Do not reverse polarities (i.e., + to – or – to +) when making connections. Doing so will cause poor imaging and diminished bass response.

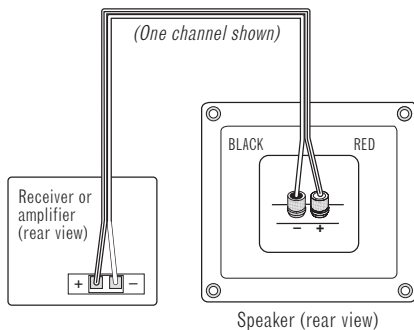


Figure 6. Wiring diagram shows polarity connections for one channel of a stereo or home theater system.

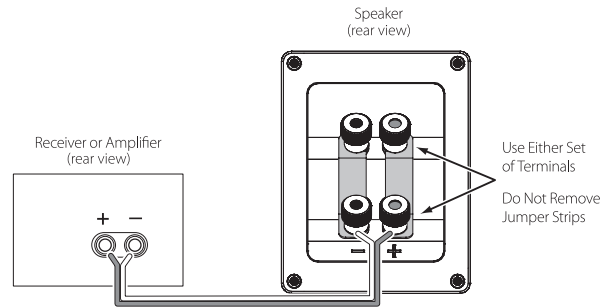
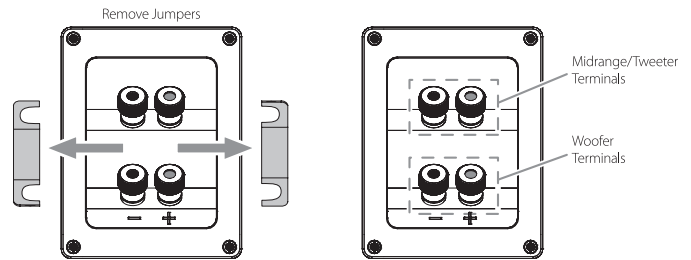


Figure 7. For RC263, R263, and R253 speakers, you can choose either set of terminals.

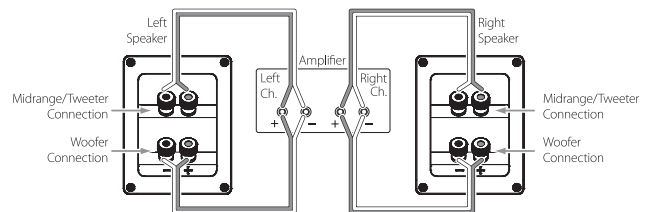
IMPORTANT: Do not remove the metal jumpers from between the two sets of terminals when connecting the speaker wires.

BI-WIRE CONNECTION - RC263, R253 AND R263

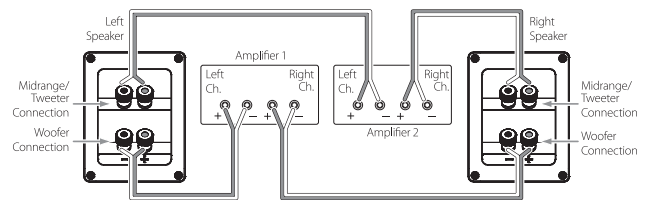
These speaker connection assemblies have two sets of input terminals that are connected by metal jumper bars. The upper set of terminals is for the midrange/tweeter, and the lower set of terminals is for the woofers. This arrangement allows you to bi-wire the speakers using a single stereo amplifier or using two stereo amplifiers. Bi-wiring can offer sonic advantages and more flexibility in power-amplifier selection over a conventional single-wire connection. Before bi-wiring the speakers, remove the jumper bars.



SINGLE-AMPLIFIER BI-WIRING



DUAL-AMPLIFIER BI-WIRING AND BI-AMPING



For more information about various speaker-wire and connection options, contact your local Infinity dealer.

FINAL ADJUSTMENT

Check the speakers for playback, first by setting the system volume control to a minimum level and then by applying power to your audio system. Play a favorite music or video segment, and increase the system volume control to a comfortable level.

NOTE: You should hear balanced audio reproduction across the entire frequency spectrum, from high tones to deep bass. If not, check all wiring connections or consult the authorized Infinity dealer from whom you purchased the system.

A number of different factors – including the room’s size and shape, the construction materials used to build the room, the listener’s position relative to the speakers, and the position of the speakers in the room – will affect the amount of bass you hear and the stereo-image quality (the placement of sounds in space). Listen to a variety of music selections and note the bass level. If there is too much bass, move the speakers away from nearby walls. Conversely, if you place the speakers closer to the walls, you should hear more bass.

Nearby reflecting surfaces can adversely affect stereo-imaging quality. If they do, try angling the speakers slightly inward toward the listening position until you achieve the best possible sound.

CARE OF YOUR SPEAKER SYSTEM

Each Reference series cabinet has a wood-grain vinyl finish that does not require any routine maintenance. You may use a soft cloth to remove any fingerprints or dust. Clean the grille by gentle vacuuming.

NOTE: Do not use any cleaning products or polishes on the cabinet or grille.

If your Infinity speaker needs service, contact your Infinity dealer or distributor, or visit www.infinityspeakers.com for the location of the nearest service center.

HARMAN

Harman International Industries, Inc.
8500 Balboa Blvd., Northridge, CA 91329 USA

© 2014 Harman International Industries, Incorporated. All rights reserved.
Infinity, Infinity Reference and CMMD are trademarks of Harman International Industries, Incorporated, registered in the United States and/or other countries.

 **Infinity**
by HARMAN