

Revel® Ultima Gem®2 Pedestal

Unpacking Instructions

Thank you for purchasing the Ultima Gem®2 Pedestal for your Revel® Ultima Gem®2 Loudspeaker. Follow the instructions below to unpack the pedestal.

UNPACKING

Step 1: Place the packing carton down so that the long side of the carton that's marked "Open this Side" is facing up.

Step 2: Open both the outer box and inner box so that one side of the packaged pedestal is exposed.

Step 3: Without allowing the flaps to close, invert the carton so that the open flaps of both boxes are on the bottom.

Step 4: Lift the cartons up and off the stand.

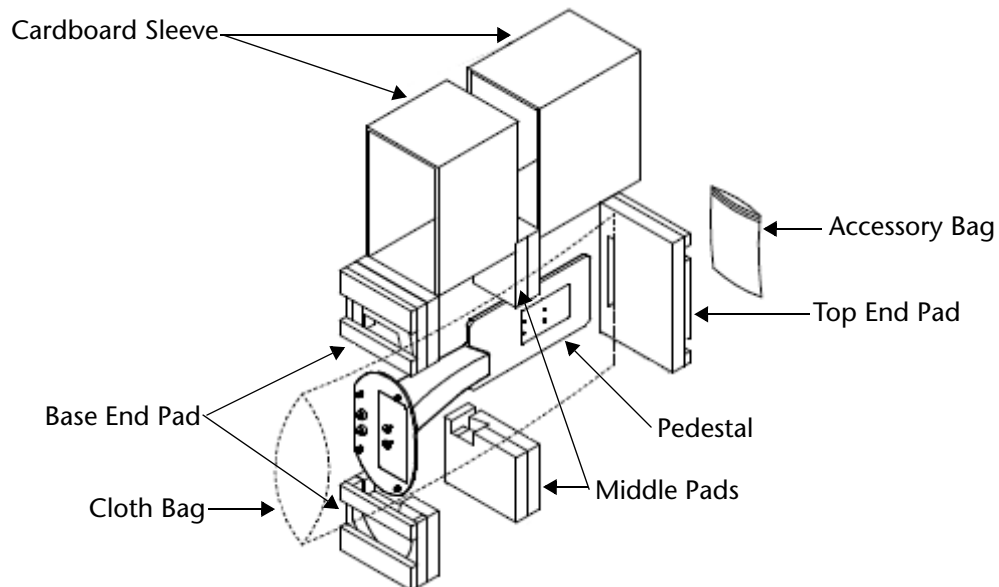
Step 5: Remove the Top End Pad from the top of the pedestal and the Base End Pad from the bottom of the pedestal.

Step 6: Remove the Cardboard Sleeve and the Middle Pads.

Step 7: Remove the cloth bag. Handle carefully to ensure that the pedestal isn't scuffed or bumped.

You are now ready to start the installation procedure. Turn this sheet over to proceed.

NOTE: Save all original packaging materials.



Harman Specialty Group
3 Oak Park Drive
Bedford, MA 01730-1413
USA

Tel 781-280-0300
Fax 781-280-0490
www.revelspeakers.com

Customer Service
Tel 781-280-0300
Fax 781-280-0495 (Sales)
Fax 781-280-0499 (Service)

Revel® Ultima Gem®2 Pedestal

Installation Instructions

Thank you for purchasing the Ultima Gem®2 Pedestal for your Revel® Ultima Gem®2 Loudspeaker. Follow the instructions below to install Ultima Gem®2 loudspeaker onto the pedestal.

INSTALLATION

Step 1: Lay the Ultima Gem®2 pedestal down, face up, on a soft non-scratch surface.

Step 2: Find and remove the four Phillips pan-head screws from the accessories bag that was removed from the end pad during the unpacking procedure.

Step 3: Remove the wall mount bracket from the loudspeaker accessories kit. This bracket is the matching half of the bracket that is installed on the back of the loudspeaker.

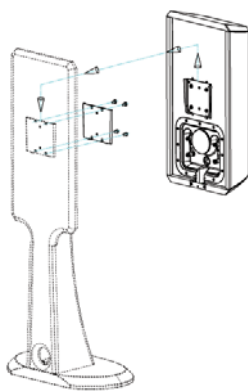
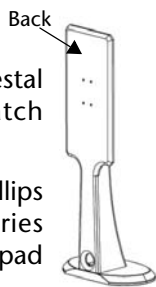
Step 4: Place the bracket flat against the front of the inset area of the pedestal, so that the screw holes line up between the pedestal and the bracket. Be sure to position the bracket so that the out-thrust tabs are on the bottom end. These are the stops that keep the speaker from sliding off the bracket.

Step 5: Secure the bracket in place with the four Phillips pan-head screws. Be sure to use the outer holes for the screws, leaving the two center holes empty. Tighten the screws firmly but do NOT over-tighten.

Step 6: Lay the pedestal face down on a soft non-scratch surface, so that the back of the pedestal is facing up.

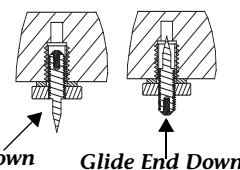
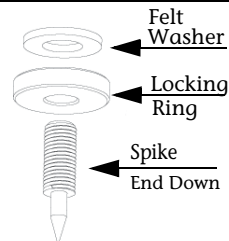
Step 7: Install the combination spikes/glides with the felt washers and knurled locking rings to the bottom of the pedestal. Hand-tighten the spikes firmly, but do NOT over-tighten.

Step 8: Put the cables for the loudspeaker in the hole located on the rear of the pedestal near the bottom and then feed the cables through the pedestal so that they come out at the top end on the front of the pedestal.



Install the spikes/glides:

1. Select the appropriate end of the spikes/glides depending on your surface. If the speaker is to be used on a hardwood floor or smooth surface use the glide end of the spike.
2. Locate the four threaded insets on the bottom of the pedestal.
3. Screw the first spike into the threaded insert, making sure to include the locking ring & felt washer in the order shown.
4. Repeat Step 3 with each of the other spikes and threaded insets. Make sure the spikes are evenly threaded to achieve a level balance.



Step 9: Install the cables to the rear panel of the loudspeaker.

NOTE: DO NOT PLACE THE LOUDSPEAKER FACE DOWN. AVOID TOUCHING THE TWEETER DOME.

Step 10: The loudspeaker can now be installed onto the pedestal.

If the wires have enough play, stand the pedestal back onto its base and slide the loudspeaker onto the bracket from above, as shown. Make sure the brackets are firmly mated before releasing the loudspeaker.

If the wires do not have enough play to allow the pedestal to be righted, slide the speaker sideways from the top of the pedestal and over the bracket. Make sure that the brackets are firmly mated before moving the pedestal back to an upright position.

Step 10: Adjust the combination spikes/glides to level the speaker as required. Hand-tighten the locking rings after adjustment.



Harman Specialty Group
3 Oak Park Drive
Bedford, MA 01730-1413
USA

Tel 781-280-0300
Fax 781-280-0490
www.revelspeakers.com

Customer Service
Tel 781-280-0300
Fax 781-280-0495 (Sales)
Fax 781-280-0499 (Service)