

# VRX915M 15" Two-Way Stage Monitor

## Key Features:

- ▶ Compact and low-profile for minimal obstruction of audience sightlines
- ▶ 50° x 90° nominal coverage
- ▶ Bi-amplified or full-range passive operation
- ▶ Differential Drive® woofer with neodymium magnet for high power capacity and very light weight
- ▶ 4" (voice coil) diameter compression driver with neodymium magnet

## Applications:

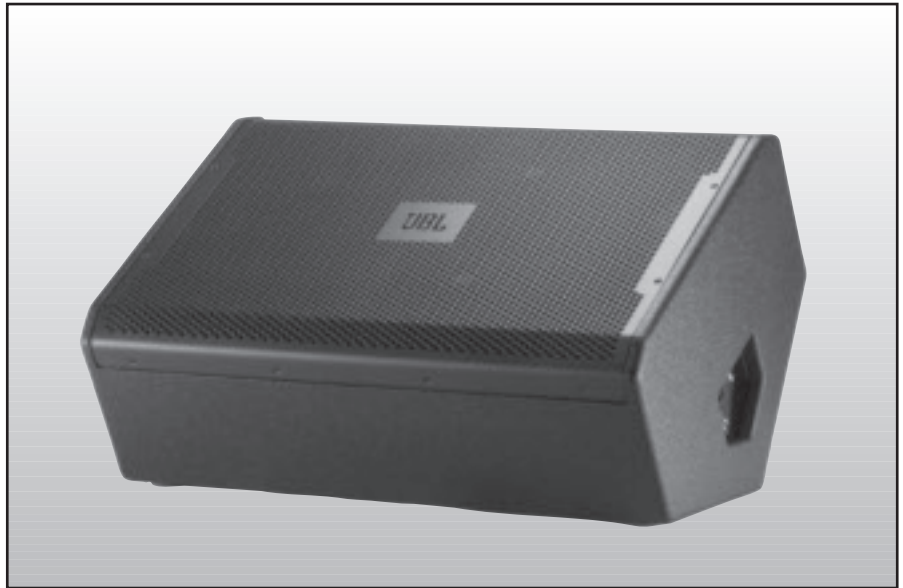
- ▶ Live performance stage monitoring
- ▶ Entertainers and sound system hire companies
- ▶ Corporate A/V presentations

The VRX915M is a dedicated, compact and lightweight 15" two way touring-class floor monitor, with only a 375 mm (14.75 in) stage height and JBL's latest neodymium-magnet transducers.

A 380 mm (15 in) 2265H patented Differential Drive® woofer handles 800 watts (continuous) and delivers accurate and precise low frequency reproduction. The 2452H 102 mm (4 in) voice-coil compression driver is coupled to a 50°x 90° aluminum horn to provide smooth and clear high frequency reproduction, critical for high performance monitoring.

Bi-amp or full-range passive operation may be selected via a recessed, high-current switch mounted alongside the NL4 input connector in one of the handle cups. An additional NL4 connector is mounted in the other handle cup for a convenient loop-thru connection, minimizing cable runs on stage.

The enclosure is constructed of top quality Baltic birch plywood and is coated in JBL's rugged DuraFlex™ finish. It is a symmetrical 30° wedge design, with four non-slip rubber feet per side enabling convenient left and right applications of adjacent monitors. The transducers are protected by an attractive 16 gauge CNC-machined steel grille. It is internally lined with acoustically transparent foam to provide additional transducer protection.



## Specifications:

Frequency Range (-10 dB):	60 Hz - 20 kHz
Frequency Response (±3 dB):	70 Hz - 20 kHz
Coverage Pattern:	50° x 90° nominal
Crossover Modes:	Passive / Bi-amp
Crossover Frequency:	1.1 kHz
Power Rating: (Continuous / Program / Peak)	Passive Full-Range 800 W / 1600 W / 3200W, 2 hrs <sup>1</sup> 600 W / 1200 W / 2400W, 100 hrs <sup>1</sup>
Power Rating: (Continuous / Program / Peak)	Bi-amp LF: 800 W / 1600 W / 3200 W, 2 hrs <sup>1</sup> 600 W / 1200 W / 2400 W, 100 hr <sup>1</sup>
Power Rating: (Continuous / Program / Peak)	Bi-amp HF: 75 W / 150 W / 300 W, 2 hrs <sup>1</sup>
Maximum SPL:	127 dB SPL continuous (133 dB SPL peak) <sup>2</sup>
System Sensitivity (1w @ 1m):	98 dB SPL
LF Driver:	1 x JBL 2265H 380 mm (15 in) Differential Drive® woofer 8 Ohms
HF Driver:	1 x JBL 2452H, 100 mm (4.0 inch) diameter voice coil, 38 mm (1.5 inch) exit, neodymium magnet compression driver 8 Ohms
Nominal Impedance:	8 Ohms
Active Tunings:	Settings available at <a href="http://www.jblpro.com/tunings/index.htm">http://www.jblpro.com/tunings/index.htm</a>
Enclosure:	Symmetrical stage monitor, 15/18 mm, plywood.
Transport:	2x Integrated handle / input cup
Finish:	Black DuraFlex™ finish
Grille:	Powder coated, black, 16 gauge perforated steel with acoustically transparent black screen backing.
Input Connectors:	Neutrik® Speakon® NL-4 (x2), one on each end
Dimensions (H x W x D):	629 mm x 432 mm x 324 mm (375 mm stage height) 24.75 in x 17 in x 12.75 in (14.75" stage height)
Net Weight:	21 kg (46.0 lb)

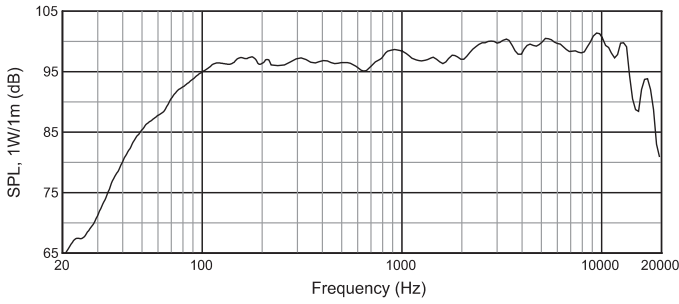
<sup>1</sup> IEC standard, full bandwidth pink noise with 6 dB crest factor for specified period

<sup>2</sup> Calculated based on power rating and sensitivity.

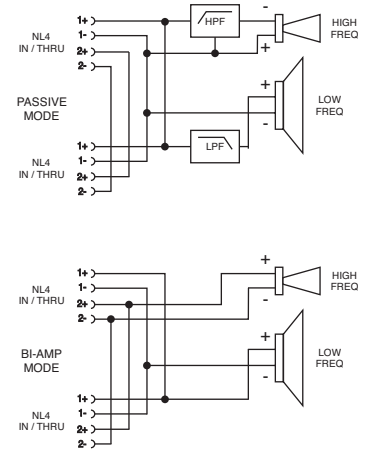
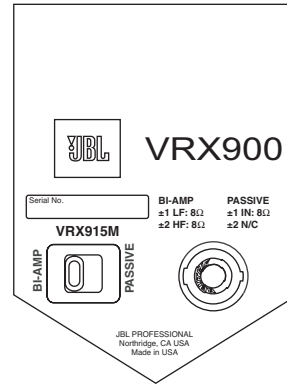
JBL continually engages in research related to product improvement. Some materials, production methods and design refinements are introduced into existing products without notice as a routine expression of that philosophy. For this reason, any current JBL product may differ in some respect from its published description, but will always equal or exceed the original design specifications unless otherwise stated.

# ▶ VRX915M 15" Two-Way Stage Monitor

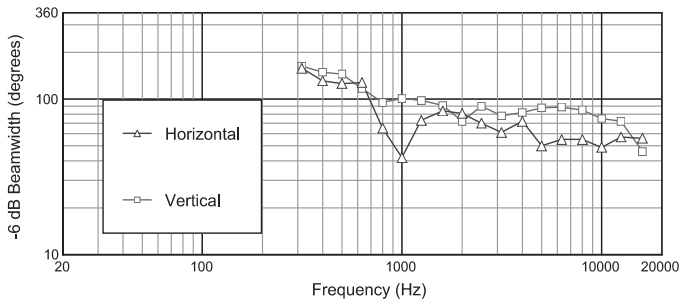
## Frequency Response:



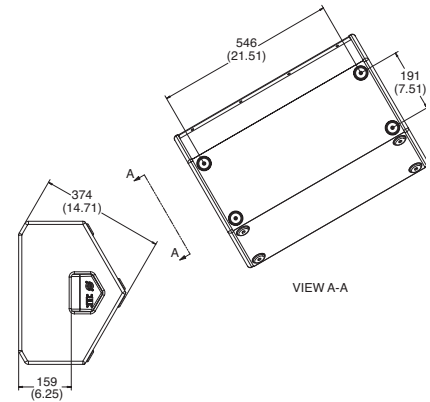
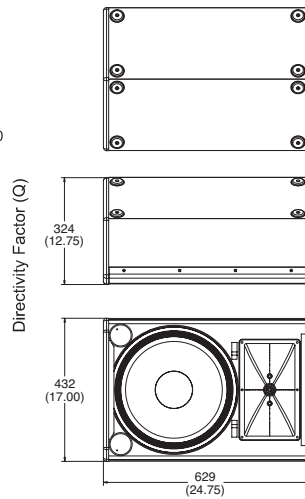
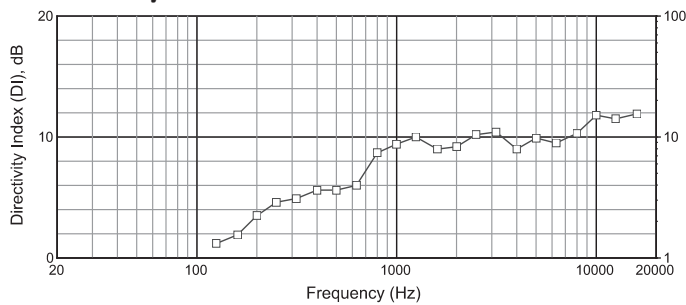
## Block Diagram:



## Beamwidth:



## Directivity Index:



Dimensions in mm (in)



JBL Professional  
8500 Balboa Boulevard, P.O. Box 2200  
Northridge, California 91329 U.S.A.

© A Harman International Company  
© Copyright 2006 JBL Professional

SS VRX915M  
CRP 5M  
03/06