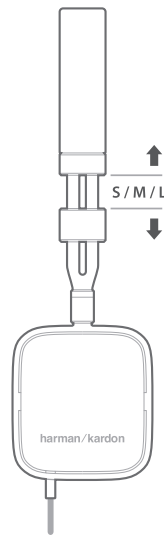
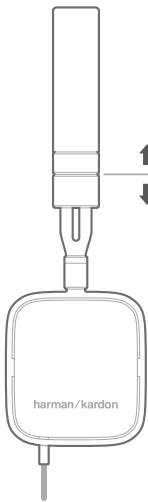
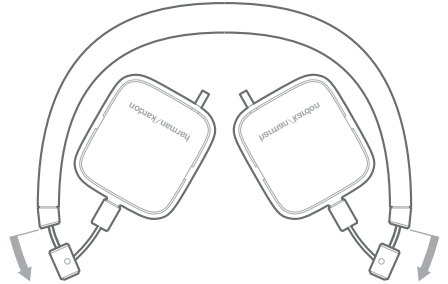


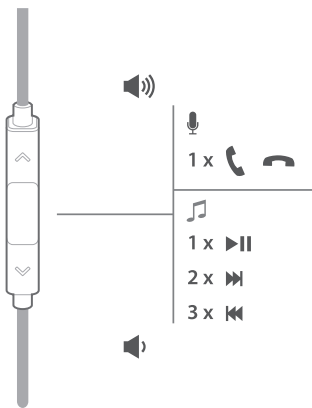


SOHO



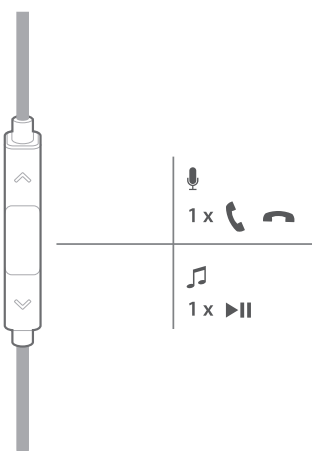
Mic/Remote Functions / Fonctions Mic/Télécommande

Made for
 iPod iPhone iPad

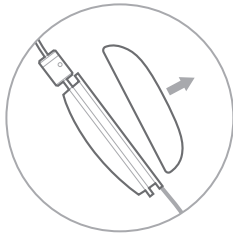
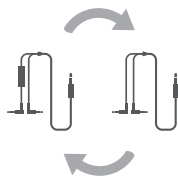


iPod[®], iPhone[®], iPad[®]

"Made for iPod," "Made for iPhone" and "Made for iPad" mean that an electronic accessory has been designed to connect specifically to iPod, iPhone or iPad, respectively, and has been certified by the developer to meet Apple performance standards. Apple is not responsible for the operation of this device or its compliance with safety and regulatory standards. Please note that the use of this accessory with iPod, iPhone, or iPad may affect wireless performance. iPad, iPhone, iPod, iPod classic, iPod nano, iPod shuffle and iPod touch are trademarks of Apple Inc., registered in the U.S. and other countries.



For all other brands
 Pour toutes les autres marques
 Para todas las marcas
 Para todas as outras marcas
 Für alle anderen Marken
 Per tutte le altre marche
 Voor alle andere merken
 For alle andre merker
 Kaikki muut merkit
 для всех других марок
 För alla andra märken
 For alle andre mærker
 その他のすべてのブランドのため
 다른 모든 브랜드
 所有其他品牌
 所有其他品牌



EN

- Driver size: 30 mm
- Frequency response: 16-20 kHz
- Impedance: 32 Ω
- Max input power: 30 mW
- Sensitivity: 100 dB @ 1 kHz / 1 mW

FR

- Taille de haut-parleur: 30 mm
- Plage de fréquences: 16-20 kHz
- Impédance: 32 Ω
- Puissance d'entrée max.: 30 mW
- Sensibilité: 100 dB @ 1 kHz / 1 mW

ES

- Tamaño de la unidad: 30 mm
- Intervalo de frecuencias: 16 - 20 kHz
- Impedancia: 32 Ω
- Potencia de entrada máxima: 30 mW
- Sensibilidad: 100 dB @ 1 kHz/1 mW

PT

- Tamanho do controlador: 30 mm
- Resposta em frequência: 16-20 kHz
- Impedância: 32 Ω
- Potência máxima de entrada: 30 mW
- Sensibilidade: 100 dB a 1 kHz/1 mW

DE

- Treibergröße: 30 mm
- Frequenzbereich: 16-20 kHz
- Impedanz: 32 Ω
- Max. Eingangsleistung: 30 mW
- Empfindlichkeit 100dB bei 1 kHz/1 mW

IT

- Dimensione del driver: 30 mm
- Risposta di frequenza: 16-20 kHz
- Impedenza: 32 Ω
- Alimentazione in ingresso massima: 30 mW
- Sensibilità 100 dB a 1 kHz/1 mW

NL

- Maat van driver: 30 mm
- Frequentiebereik: 16 – 20 kHz
- Impedantie: 32 Ω
- Nominaal opgenomen vermogen: 30 mW
- Gevoeligheid 100 dB @ 1 kHz/1 mW

NO

- Driverstørrelse: 30 mm
- Frekvensområde: 16-20 kHz
- Impedans: 32 Ω
- Maks. strøminngang: 30 mW
- Følsomhet: 100 dB @ 1 kHz / 1 mW

FI

- Kuljettajan koko: 30 mm
- Taajuusvaste: 16-20 kHz
- Impedanssi: 32 Ω
- Maksimiottoteho 30 mW
- Herkkyyks 100 dB @1 kHz/1 mW

RU

- Размер мембраны: 30 мм
- Эффективный рабочий диапазон частот: 16-20 кГц
- Импеданс: 32 Ω
- Макс. входная мощность: 30 mW
- Чувствительность 100 дБ для 1 кГц/1mW

SV

- Drivrutin storlek: 30 mm
- Frekvens respons: 16 – 20 kHz
- Impedans: 32 Ω
- Högst ineffekt: 30 mW
- Känslighet: 100 dB @ 1 kHz/1 mW

DA

- Driverstørrelse: 30 mm
- Frekvensområde: 16-20 kHz
- Impedans: 32 Ω
- Maks. indgangseffekt: 30 mW
- Følsomhed: 100 dB ved 1 kHz/1 mW

JP

- ドライバーのサイズ30 mm
- 周波数応答16 - 20 kHz
- 電気抵抗: 32 Ω
- 最大入力パワー 30 mW
- 感度: 100 dB @ 1 kHz/1 mW

KO

- 드라이버 크기: 30mm
- 주파수 응답: 16 ~ 20kHz
- 임피던스: 32 Ω
- 최대 입력: 30mW
- 민감도 1kHz/1mW에서 100dB

CHS

- 驱动器大小: 30 mm
- 频率响应: 16 - 20 kHz
- 阻抗: 32 Ω
- 最大输入功率: 30 mW
- 灵敏度: 100 dB @ 1 kHz/1 mW

CHT

- 驅動器尺寸: 30 mm
- 頻率回應: 16 – 20 kHz
- 阻抗: 32 Ω
- 最大輸入功率: 30 mW
- 敏感度: 1 kHz/1 mW 時為 100 dB